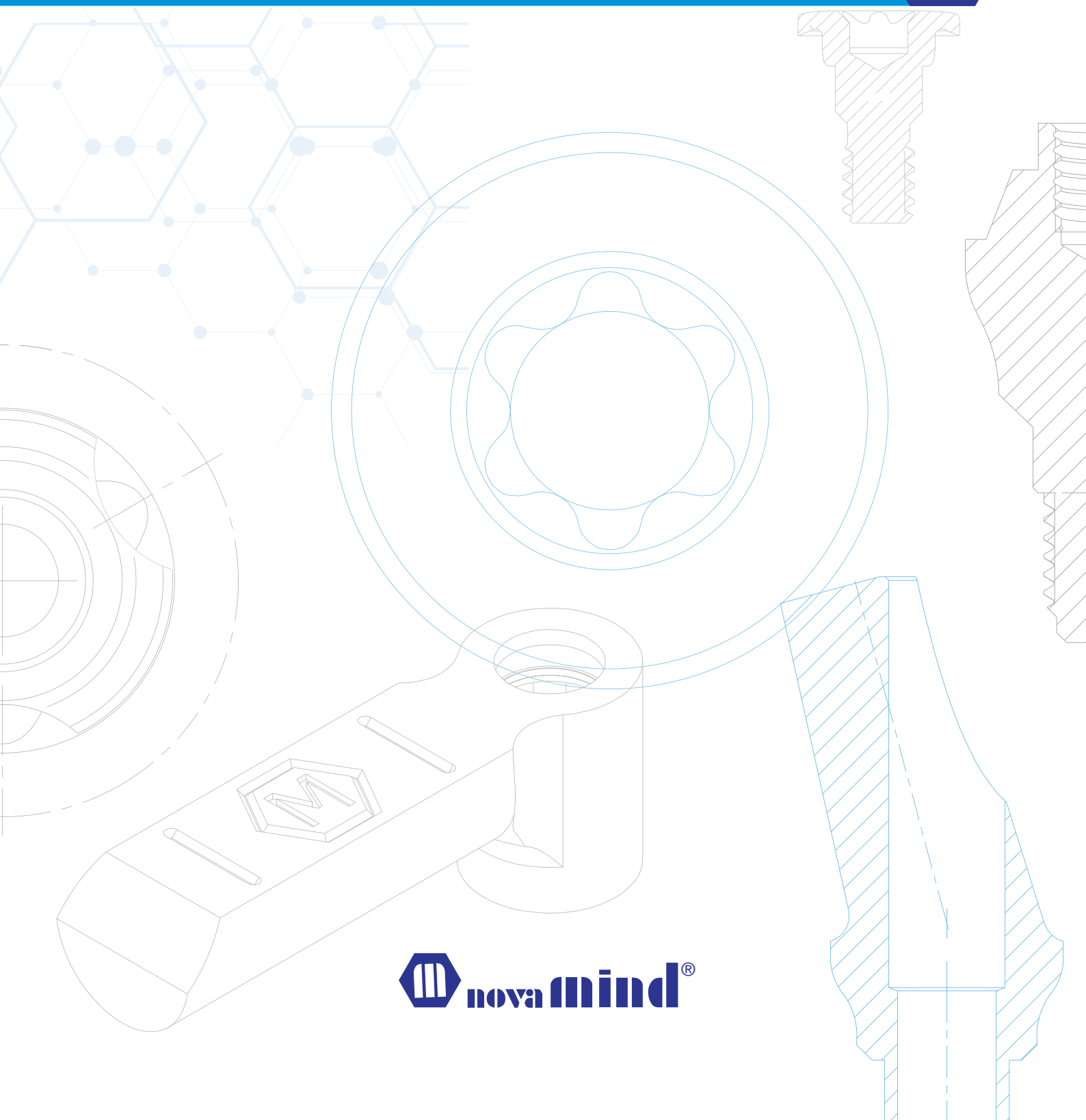





















CATALOG 2026



PRODUCT LIST

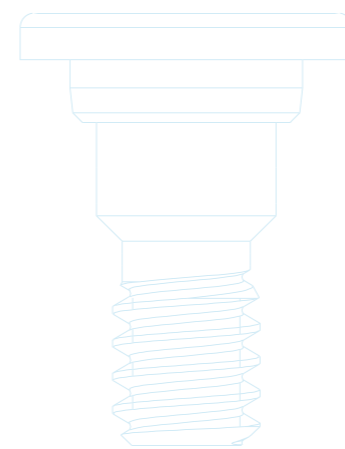
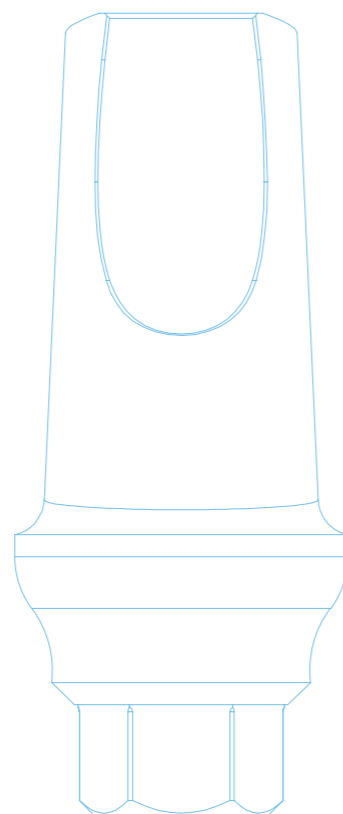
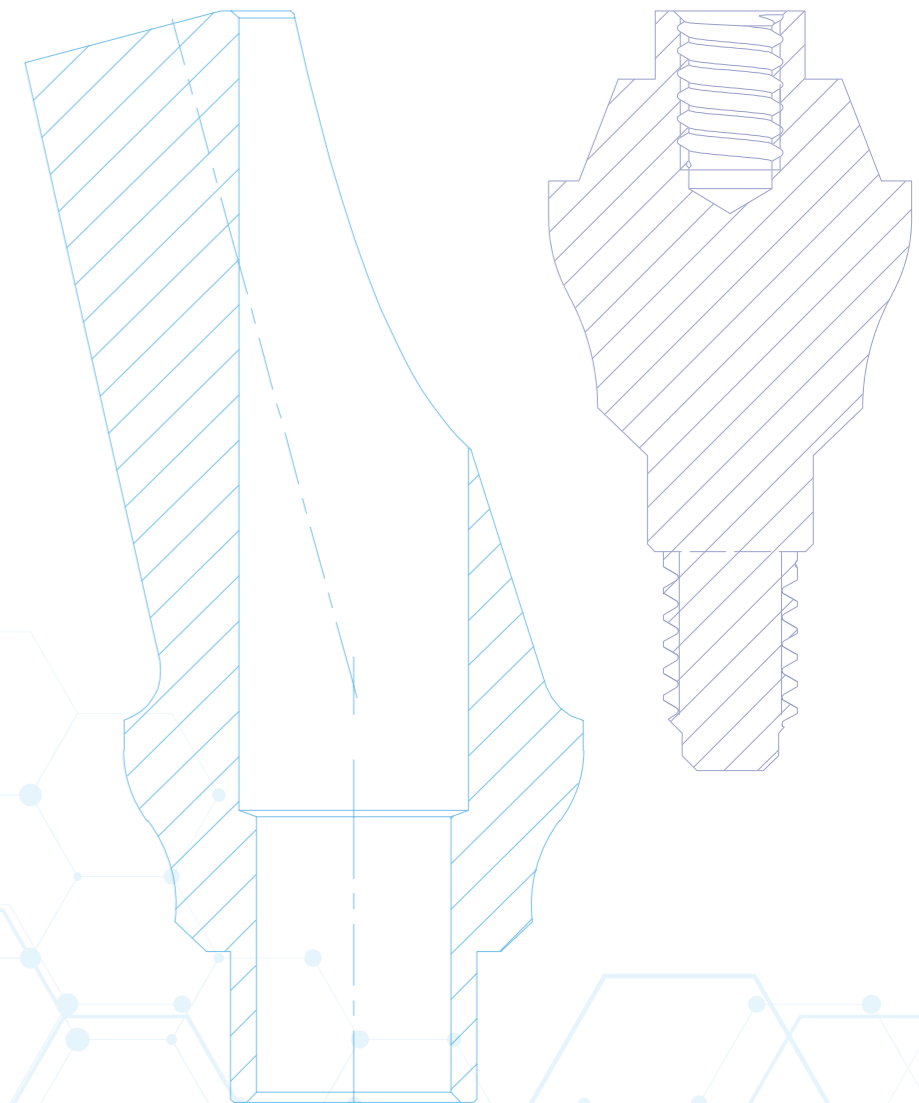
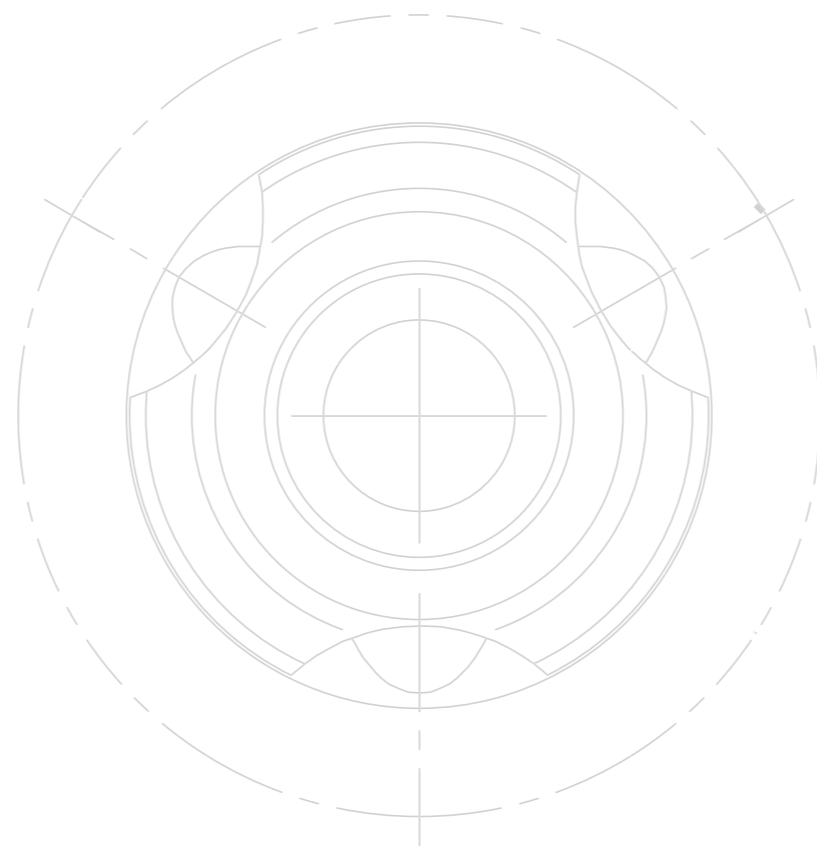
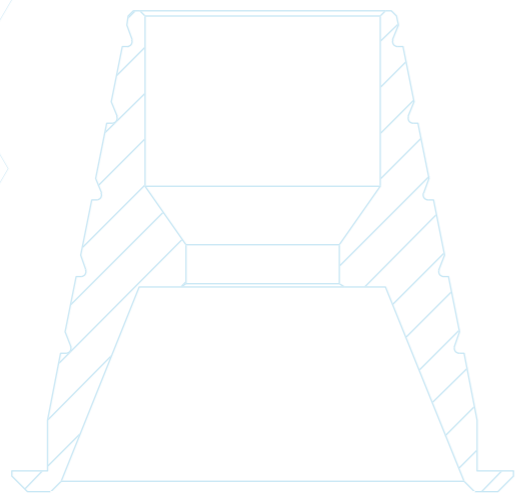


| | | | |
|--|----|--|-----|
|  FRIADENT XIVE® INTERNAL HEX | 05 |  COWELL® INNO SUBMERGED CONICAL CONNECTION | 91 |
|  STRAUMANN® TISSUE LEVEL & SYNOCTA® OCTAGON | 11 |  MIS® C1 / V3 CONICAL CONNECTION | 101 |
|  3i CERTAIN® INTERNAL HEX | 21 |  STRAUMANN® BLX CONICAL CONNECTION | 109 |
|  NOBEL REPLACE SELECT™ TRI-LOBE | 27 |  OSSTEM® TS CONICAL CONNECTION | 117 |
|  STRAUMANN® BONE LEVEL & BLT CONICAL CONNECTION | 35 |  OmniTaper EV Implant System™ CONICAL CONNECTION | 127 |
|  MIS® SEVEN INTERNAL HEX | 45 |  FRIZ & ZIMMER INTERNAL HEX | 135 |
|  NOBEL ACTIVE® / REPLACE® CC CONICAL CONNECTION | 55 |  NEOBIOTECH® IS SYSTEM CONICAL CONNECTION | 145 |
|  BLUESKY & CLASSICSKY TORX CONNECTION | 65 |  3i OSSEOTITE EXTERNAL HEX® | 155 |
|  DENTIUM SUPERLINE™ & IMPLANTIUM® CONICAL CONNECTION | 75 |  NOVAMIND® PLATFORM Φ4,8 MULTI-UNIT CONNECTION | 161 |
|  MEGAGEN ANYRIDGE® CONICAL CONNECTION | 85 | | |



INTERNAL HEX

compatible with **Friadent Xive®**





HEALING CAP



| GINGIVA HEIGHT | 3,4 | 3,8 | 4,5 | 5,5 |
|--------------------|----------|----------|----------|----------|
| 3,0mm | 01.34.41 | 01.38.41 | 01.45.41 | |
| 5,0mm | 01.34.42 | 01.38.42 | 01.45.42 | |
| Screw Reference | | | | 01.100 |
| Recommended Torque | | | | By Hand |
| Screwdriver | | | | Hex 1,20 |

TITANIUM TEMPORARY ABUTMENT



| GINGIVA HEIGHT | 3,4 | 3,8 | 4,5 | 5,5 |
|--------------------|----------|----------|----------|----------|
| ⬡ | 01.34.90 | 01.38.90 | 01.45.90 | |
| ○ | 01.34.91 | 01.38.91 | 01.45.91 | |
| Screw Reference | | | | 01.100 |
| Recommended Torque | | | | 20Ncm |
| Screwdriver | | | | Hex 1,20 |

SCAN ABUTMENT



| MATERIAL | 3,4 | 3,8 | 4,5 | 5,5 |
|--------------------|----------|----------|----------|----------|
| Peek | 01.34.SA | 01.38.SA | 01.45.SA | 01.55.SA |
| Titanium/ Peek | 01.34.SB | 01.38.SB | 01.45.SB | 01.55.SB |
| Screw Reference | | | | 01.100 |
| Recommended Torque | | | | By Hand |
| Screwdriver | | | | Hex 1,20 |

ANALOG



| GINGIVA HEIGHT | 3,4 | 3,8 | 4,5 | 5,5 |
|---------------------------|----------|----------|----------|----------|
| | 01.34.20 | 01.38.20 | 01.45.20 | 01.55.20 |
| *For Lab & Digital Models | | | | |

IMPRESSION POST



| TYPE | 3,4 | 3,8 | 4,5 | 5,5 |
|--------------------|----------|----------|----------|----------|
| Open tray | 01.34.50 | 01.38.50 | 01.45.50 | 01.55.50 |
| Screw Reference | | | | 01.150 |
| Recommended Torque | | | | By Hand |
| Screwdriver | | | | Hex 1,20 |

OVERDENTURE ABUTMENT



| GINGIVA HEIGHT | 3,4 | 3,8 | 4,5 | 5,5 |
|--------------------|----------|----------|----------|---------------|
| 1,0mm | 01.34.81 | 01.38.81 | 01.45.81 | |
| 2,0mm | 01.34.82 | 01.38.82 | 01.45.82 | |
| 3,0mm | 01.34.83 | 01.38.83 | 01.45.83 | |
| 4,0mm | 01.34.84 | 01.38.84 | 01.45.84 | |
| 5,0mm | 01.34.85 | 01.38.85 | 01.45.85 | |
| Recommended Torque | | | | 24Ncm |
| Screwdriver | | | | Locator® Tool |



TI-BASE



| | GINGIVA HEIGHT | 3,4 | 3,8 | 4,5 | 5,5 |
|--------------------|----------------|------------|------------|------------|----------|
| ⬡ | 0,5mm | 01.34.60.1 | 01.38.60.1 | 01.45.60.1 | |
| ⬡ | 1,5mm | 01.34.60.2 | 01.38.60.2 | 01.45.60.2 | |
| ○ | 0,5mm | 01.34.61.1 | 01.38.61.1 | 01.45.61.1 | |
| ○ | 1,5mm | 01.34.61.2 | 01.38.61.2 | 01.45.61.2 | |
| Screw Reference | | | | | 01.100 |
| Recommended Torque | | | | | 24Ncm |
| Screwdriver | | | | | Hex 1,20 |

CoCr CASTABLE ABUTMENT



| | | 3,4 | 3,8 | 4,5 | 5,5 |
|--------------------|--|----------|----------|----------|----------|
| ⬡ | | 01.34.70 | 01.38.70 | 01.45.70 | |
| ○ | | 01.34.71 | 01.38.71 | 01.45.71 | |
| Screw Reference | | | | | 01.100 |
| Recommended Torque | | | | | 24Ncm |
| Screwdriver | | | | | Hex 1,20 |

CASTABLE ABUTMENT



| | | 3,4 | 3,8 | 4,5 | 5,5 |
|--------------------|--|----------|----------|----------|----------|
| ⬡ | | 01.34.30 | 01.38.30 | 01.45.30 | |
| ○ | | 01.34.31 | 01.38.31 | 01.45.31 | |
| Screw Reference | | | | | 01.130 |
| Recommended Torque | | | | | 24Ncm |
| Screwdriver | | | | | Hex 1,20 |

BALL ABUTMENT



| | GINGIVA HEIGHT | 3,4 | 3,8 | 4,5 | 5,5 |
|--------------------|----------------|-----------|-----------|-----------|----------|
| | 1,0mm | 01.34.851 | 01.38.851 | 01.45.851 | |
| | 3,0mm | 01.34.853 | 01.38.853 | 01.45.853 | |
| Recommended Torque | | | | | 24Ncm |
| Screwdriver | | | | | Hex 1,20 |

TITANIUM ABUTMENT



| | DEGREES | GINGIVA HEIGHT | 3,4 | 3,8 | 4,5 | 5,5 |
|--------------------|---------|----------------|------------|------------|------------|------------|
| | 0° | 1,2mm | 01.34.0.1 | 01.38.0.1 | 01.45.0.1 | 01.55.0.1 |
| | 0° | 2,7mm | 01.34.0.2 | 01.38.0.2 | 01.45.0.2 | 01.55.0.2 |
| | 0° | 3,7mm | 01.34.0.3 | 01.38.0.3 | 01.45.0.3 | 01.55.0.3 |
| | 17° | 1,2mm | 01.34.17.1 | 01.38.17.1 | 01.45.17.1 | 01.55.17.1 |
| | 17° | 2,7mm | 01.34.17.2 | 01.38.17.2 | 01.45.17.2 | 01.55.17.2 |
| | 17° | 3,7mm | 01.34.17.3 | 01.38.17.3 | 01.45.17.3 | 01.55.17.3 |
| Screw Reference | | | | | 01.100 | |
| Recommended Torque | | | | | 24Ncm | |
| Screwdriver | | | | | Hex 1,20 | |

PREMILL BLANK

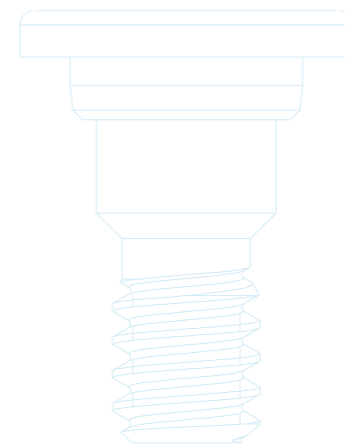
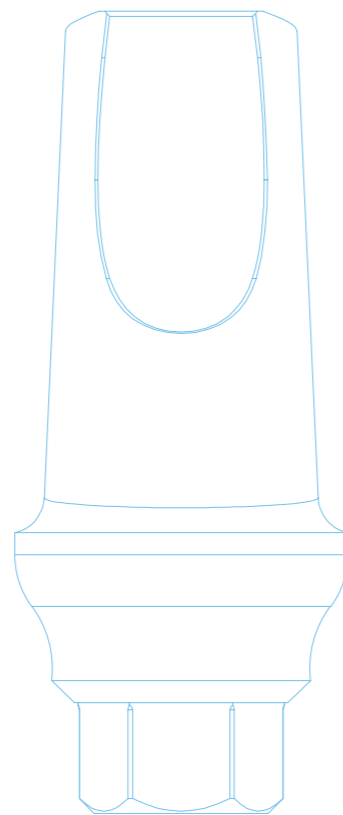
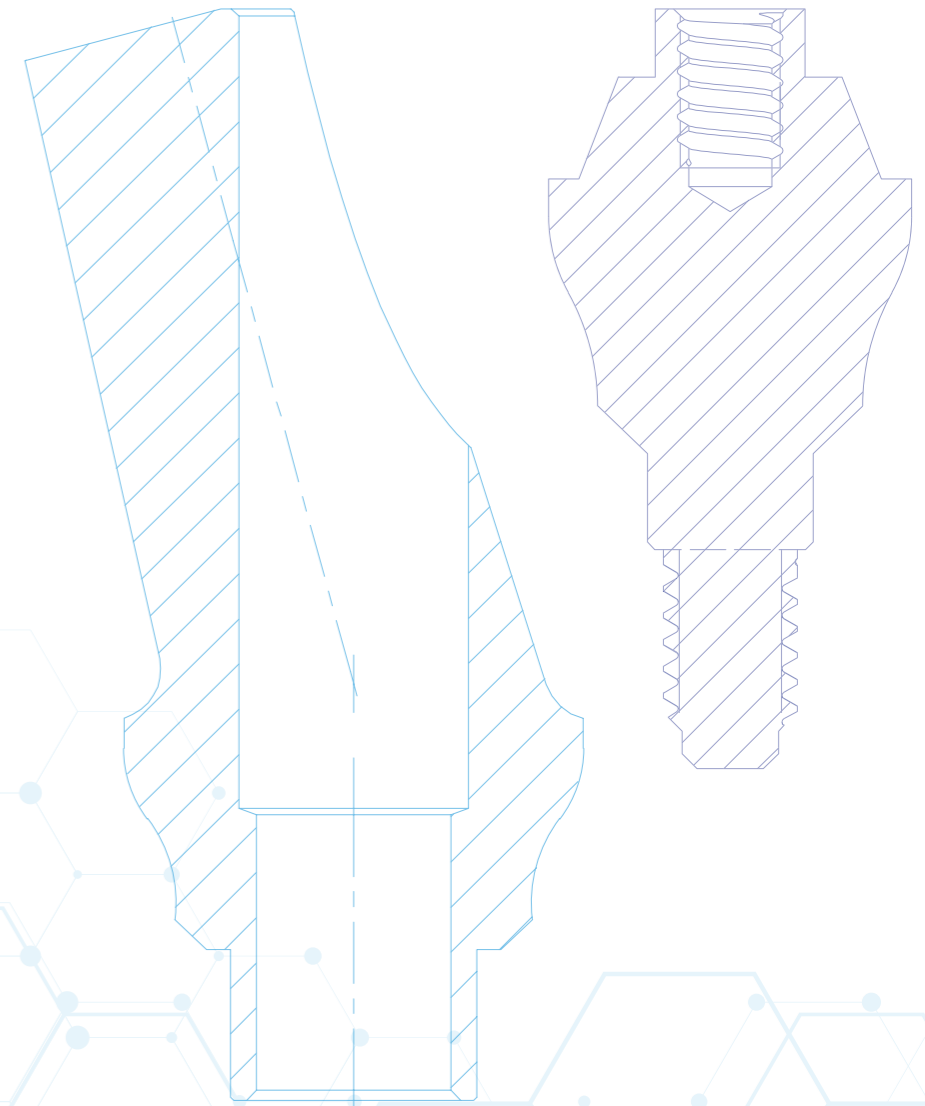
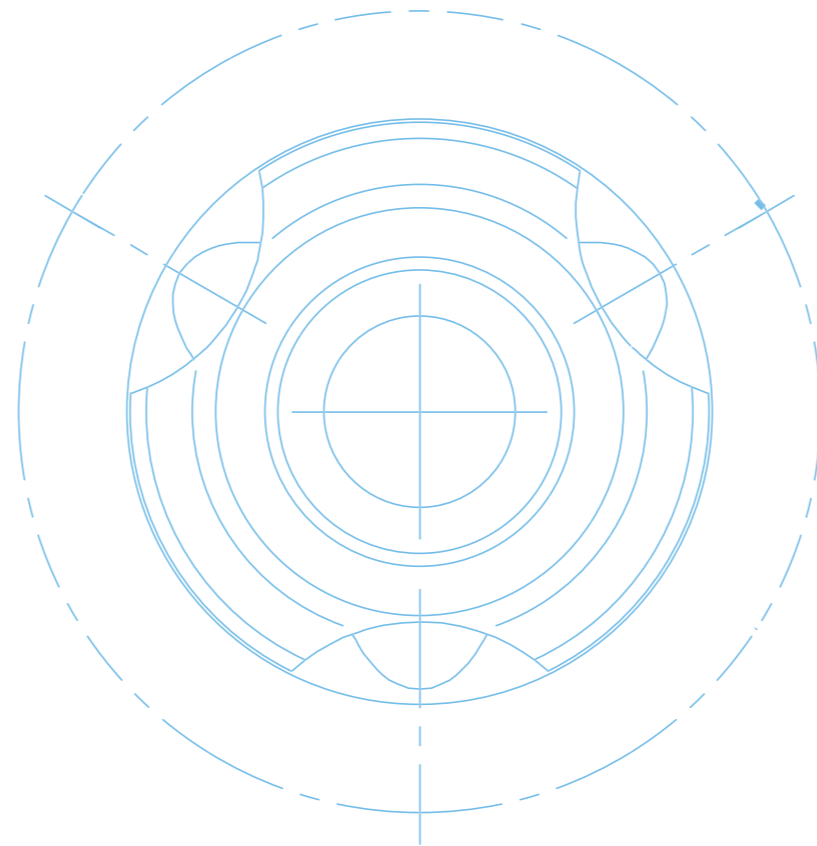
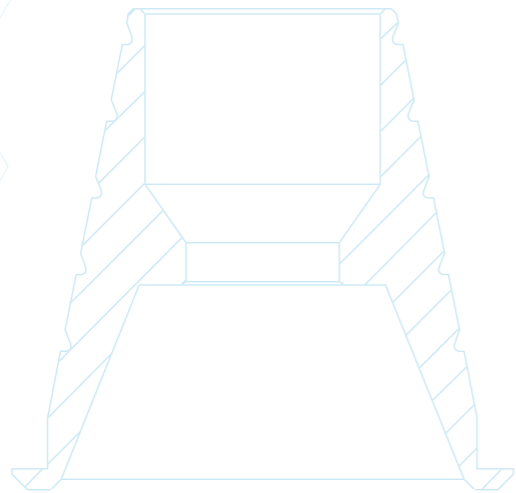


| | DIAMETER | MATERIAL | 3,4 | 3,8 | 4,5 | 5,5 |
|--------------------|----------|----------|-----------|-----------|-----------|-----------|
| | Ø 12mm | CoCr | 01.34.12C | 01.38.12C | 01.45.12C | 01.55.12C |
| | Ø 16mm | CoCr | | 01.38.16C | 01.45.16C | 01.55.16C |
| | Ø 12mm | Titanium | 01.34.12T | 01.38.12T | 01.45.12T | 01.55.12T |
| | Ø 16mm | Titanium | | 01.38.16T | 01.45.16T | 01.55.16T |
| Recommended Torque | | | | | 24Ncm | |
| Screwdriver | | | | | Hex 1,20 | |



OCTAGON

compatible with **Straumann® Tissue level & synOcta®**





COVER SCREW



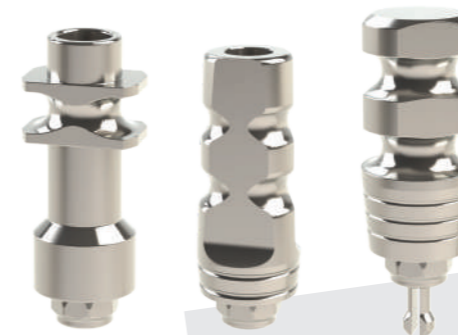
RN
4,1/4,8 **WN**
4,8/6,5

02.48.40

Recommended Torque
Screwdriver

By Hand
Torx

IMPRESSION POST



TYPE **RN**
4,1/4,8 **WN**
4,8/6,5

Open Tray 02.48.50 02.65.50

Screw Reference 02.150

Closed Tray 02.48.55 02.65.55

Screw Reference 02.155

Press Fit 02.48.56 02.65.56

Recommended Torque
Screwdriver

By Hand
Torx

HEALING CAP



GINGIVA HEIGHT **RN**
4,1/4,8 **WN**
4,8/6,5

2,0mm 02.48.42 02.65.42

3,0mm 02.48.43 02.65.43

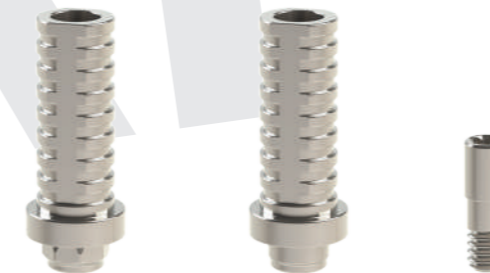
4,0mm 02.48.44 02.65.44

5,0mm 02.48.45

Recommended Torque
Screwdriver

By Hand
Torx

TITANIUM TEMPORARY ABUTMENT



RN
4,1/4,8 **WN**
4,8/6,5

⬡ 02.48.90 02.65.90

○ 02.48.91 02.65.91

Screw Reference

02.100

Recommended Torque
Screwdriver

20-25Ncm
Torx

SCAN ABUTMENT



MATERIAL **RN**
4,1/4,8 **WN**
4,8/6,5

Peek 02.48.SA 02.65.SA

Screw Reference 02.101

Titanium/Peek 02.48.SB 02.65.SB

Screw Reference

02.100

Recommended Torque
Screwdriver

By Hand
Torx

ANALOG



RN
4,1/4,8 **WN**
4,8/6,5

02.48.20 02.65.20

*For Lab & Digital Models

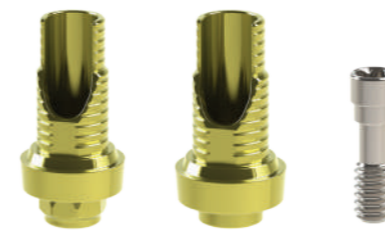


OVERDENTURE ABUTMENT



| GINGIVA HEIGHT | RN 4,1/4,8 | WN 4,8/6,5 |
|-----------------------------------|------------------------|---------------|
| 1,0mm | 02.48.81 | |
| 2,0mm | 02.48.82 | |
| 3,0mm | 02.48.83 | |
| 4,0mm | 02.48.84 | |
| 5,0mm | 02.48.85 | |
| Recommended Torque Screwdriver | 35Ncm Locator® Tool | |

TI-BASE ANGLED



| GINGIVA HEIGHT | RN 4,1/4,8 | WN 4,8/6,5 |
|-----------------------------------|-----------------------------------|---------------|
| ⬡ 0,5mm | 02.48.65.1 | 02.65.65.1 |
| ⬡ 1,5mm | 02.48.65.2 | 02.65.65.2 |
| ○ 0,5mm | 02.48.66.1 | 02.65.66.1 |
| ○ 1,5mm | 02.48.66.2 | 02.65.66.2 |
| Screw Reference | 02.165 | |
| Recommended Torque Screwdriver | 25Ncm Torx Ball Screwdriver | |

TI-BASE



| GINGIVA HEIGHT | RN 4,1/4,8 | WN 4,8/6,5 |
|-----------------------------------|---------------|---------------|
| ⬡ 0,5mm | 02.48.60.1 | 02.65.60.1 |
| ⬡ 1,5mm | 02.48.60.2 | 02.65.60.2 |
| ○ 0,5mm | 02.48.61.1 | 02.65.61.1 |
| ○ 1,5mm | 02.48.61.2 | 02.65.61.2 |
| Screw Reference | 02.160 | |
| Recommended Torque Screwdriver | 35Ncm Torx | |

CoCr CASTABLE ABUTMENT



| GINGIVA HEIGHT | RN 4,1/4,8 | WN 4,8/6,5 |
|-----------------------------------|---------------|---------------|
| ⬡ 0,5mm | 02.48.70 | 02.65.70 |
| ○ 1,5mm | 02.48.71 | 02.65.71 |
| Screw Reference | 02.160 | |
| Recommended Torque Screwdriver | 35Ncm Torx | |

CASTABLE ABUTMENT



| GINGIVA HEIGHT | RN 4,1/4,8 | WN 4,8/6,5 |
|-----------------------------------|---------------|---------------|
| ⬡ 0,5mm | 02.48.30 | 02.65.30 |
| ○ 1,5mm | 02.48.31 | 02.65.31 |
| Screw Reference | 02.130 | |
| Recommended Torque Screwdriver | 35Ncm Torx | |



BALL ABUTMENT



| GINGIVA HEIGHT | RN 4,1/4,8 | WN 4,8/6,5 |
|-----------------------------------|---------------|---------------|
| 1,0mm | 02.48.851 | |
| 3,0mm | 02.48.853 | |
| Recommended Torque Screwdriver | 35Ncm Torx | |

TITANIUM ABUTMENT SOLID



| HEIGHT | RN 4,1/4,8 | WN 4,8/6,5 |
|--------------------|---------------|---------------|
| 4,0mm | 02.48.1 | |
| 5,5mm | 02.48.2 | |
| 7,0mm | 02.48.3 | |
| 9,0mm | 02.48.4 | |
| Recommended Torque | 35Ncm | |

TITANIUM ABUTMENT



| DEGREES | TYPE | RN 4,1/4,8 | WN 4,8/6,5 |
|--|------|-------------------------|---------------|
| 0° | | 02.48.0 | 02.65.0 |
| 17° | A | 02.48.17A | 02.65.17A |
| 17° | B | 02.48.17B | 02.65.17B |
| 23° | A | 02.48.23A | |
| 23° | B | 02.48.23B | |
| Screw Reference Recommended Torque Screwdriver | | 02.100 35Ncm Torx | |

PREMILL BLANK



| DIAMETER | MATERIAL | RN 4,1/4,8 | WN 4,8/6,5 |
|--|----------|-------------------------|---------------|
| Ø 12mm | CoCr | 02.48.12C | 02.65.12C |
| Ø 16mm | CoCr | 02.48.16C | 02.65.16C |
| Ø 12mm | Titanium | 02.48.12T | 02.65.12T |
| Ø 16mm | Titanium | 02.48.16T | 02.65.16T |
| Screw Reference Recommended Torque Screwdriver | | 02.101 35Ncm Torx | |

CONVERTER ABUTMENT



| | RN 4,1/4,8 | WN 4,8/6,5 |
|---------------------------------------|-----------------|---------------|
| ⬡ | SYN02.48 | |
| ○ | SYN02.49 | |
| Screw Reference Recommended Torque | 02.102 35Ncm | |

- Non engaging
- ⬡ Engaging



ANALOG

RN 4,1/4,8



SYN02.20

*For Lab & Digital Models

TITANIUM TEMPORARY ABUTMENT

RN 4,1/4,8



SYN02.91

| | |
|--------------------|--------|
| Screw Reference | 02.102 |
| Recommended Torque | 15Ncm |
| Screwdriver | Torx |

IMPRESSION POST

TYPE

RN 4,1/4,8



Open Tray SYN02.50

Screw Reference SYN02.150

Closed Tray SYN02.55

Screw Reference SYN02.155
Recommended Torque By Hand
Screwdriver Torx

SCAN ABUTMENT

MATERIAL

RN 4,1/4,8



Peek SYN02.SA

Titanium/Peek SYN02.SB

| | |
|--------------------|---------|
| Screw Reference | 02.102 |
| Recommended Torque | By Hand |
| Screwdriver | Torx |

TI-BASE

RN 4,1/4,8



SYN02.61

| | |
|--------------------|--------|
| Screw Reference | 02.102 |
| Recommended Torque | 15Ncm |
| Screwdriver | Torx |

CASTABLE ABUTMENT

RN 4,1/4,8



SYN02.30



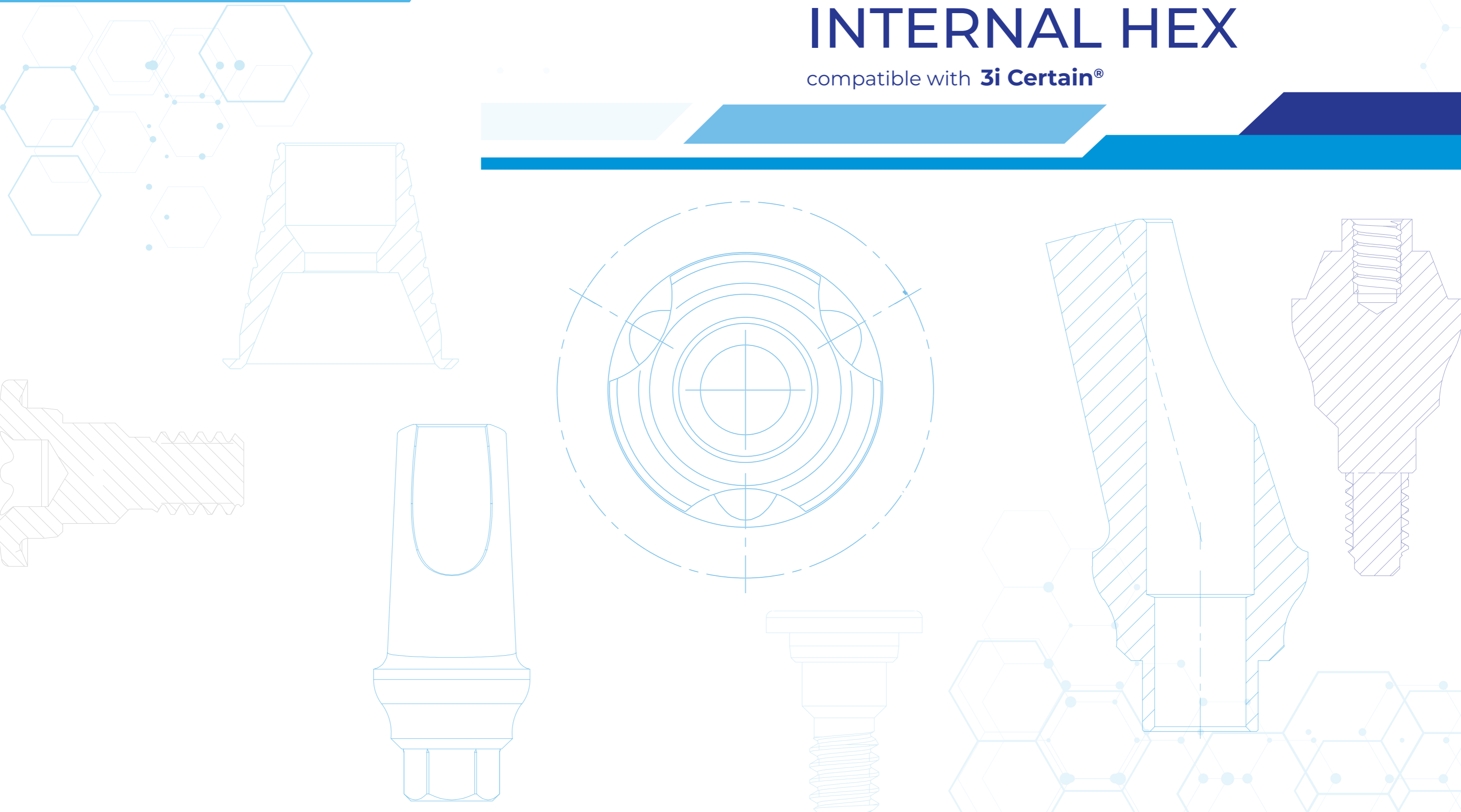
SYN02.31

| | |
|--------------------|--------|
| Screw Reference | 02.102 |
| Recommended Torque | 35Ncm |
| Screwdriver | Torx |



INTERNAL HEX

compatible with **3i Certain®**





INTERNAL HEX

compatible with 3i CERTAIN®

- Non engaging
- ⬡ Engaging



HEALING CAP



| GINGIVA HEIGHT | 3,4 | 4,1 | 5,0 |
|--------------------------------|------------------|----------|----------|
| 3,0mm | 03.34.41 | 03.41.41 | 03.50.41 |
| 5,0mm | 03.34.42 | 03.41.42 | 03.50.42 |
| Recommended Torque Screwdriver | By Hand Hex 1,20 | | |

TITANIUM TEMPORARY ABUTMENT



| | 3,4 | 4,1 | 5,0 |
|--------------------------------|----------------|----------|----------|
| ⬡ | 03.34.90 | 03.41.90 | 03.50.90 |
| ○ | 03.34.91 | 03.41.91 | 03.50.91 |
| Screw Reference | 04.35.100 | | 03.100 |
| Recommended Torque Screwdriver | 20Ncm Hex 1,20 | | |

SCAN ABUTMENT



| MATERIAL | 3,4 | 4,1 | 5,0 |
|--------------------------------|------------------|----------|----------|
| PEEK | 03.34.SA | 03.41.SA | 03.50.SA |
| Titanium/PEEK | 03.34.SB | 03.41.SB | 03.50.SB |
| Screw Reference | 03.100 | | |
| Recommended Torque Screwdriver | By Hand Hex 1,20 | | |

ANALOG



| | 3,4 | 4,1 | 5,0 |
|---|----------|----------|----------|
| ○ | 03.34.20 | 03.41.20 | 03.50.20 |

*For Lab & Digital Models

IMPRESSION POST



| TYPE | 3,4 | 4,1 | 5,0 |
|--------------------------------|------------------|----------|----------|
| Open Tray | 03.34.50 | 03.41.50 | 03.50.50 |
| Screw Reference | 03.150 | | |
| Recommended Torque Screwdriver | By Hand Hex 1,20 | | |

OVERDENTURE ABUTMENT



| GINGIVA HEIGHT | 3,4 | 4,1 | 5,0 |
|--------------------------------|---------------------|----------|----------|
| 1,0mm | 03.34.81 | 03.41.81 | 03.50.81 |
| 2,0mm | 03.34.82 | 03.41.82 | 03.50.82 |
| 3,0mm | 03.34.83 | 03.41.83 | 03.50.83 |
| 4,0mm | 03.34.84 | 03.41.84 | 03.50.84 |
| 5,0mm | 03.34.85 | 03.41.85 | 03.50.85 |
| Recommended Torque Screwdriver | 20Ncm Locator® Tool | | |



INTERNAL HEX

compatible with 3i CERTAIN®

- Non engaging
- ⬡ Engaging



TI-BASE



| | GINGIVA HEIGHT | 3,4 | 4,1 | 5,0 |
|---|----------------|------------|------------|------------|
| ⬡ | 0,5mm | 03.34.60.1 | 03.41.60.1 | 03.50.60.1 |
| ⬡ | 1,5mm | 03.34.60.2 | 03.41.60.2 | 03.50.60.2 |
| ○ | 0,5mm | 03.34.61.1 | 03.41.61.1 | 03.50.61.1 |
| ○ | 1,5mm | 03.34.61.2 | 03.41.61.2 | 03.50.61.2 |

Screw Reference 03.100
Recommended Torque 20Ncm
Screwdriver Hex 1,20

TITANIUM ABUTMENT



| | DEGREES | GINGIVA HEIGHT | 3,4 | 4,1 | 5,0 |
|--|---------|----------------|------------|------------|------------|
| | 0° | 1,2mm | 03.34.0.1 | 03.41.0.1 | 03.50.0.1 |
| | 0° | 2,7mm | 03.34.0.2 | 03.41.0.2 | 03.50.0.2 |
| | 0° | 3,7mm | 03.34.0.3 | 03.41.0.3 | 03.50.0.3 |
| | 17° | 1,2mm | 03.34.17.1 | 03.41.17.1 | 03.50.17.1 |
| | 17° | 2,7mm | 03.34.17.2 | 03.41.17.2 | 03.50.17.2 |
| | 17° | 3,7mm | 03.34.17.3 | 03.41.17.3 | 03.50.17.3 |

Screw Reference 03.100
Recommended Torque 20Ncm
Screwdriver Hex 1,20

CoCr CASTABLE ABUTMENT



| | | 3,4 | 4,1 | 5,0 |
|---|--|----------|----------|----------|
| ⬡ | | 03.34.70 | 03.41.70 | 03.50.70 |
| ○ | | 03.34.71 | 03.41.71 | 03.50.71 |

Screw Reference 03.100
Recommended Torque 20Ncm
Screwdriver Hex 1,20

PREMILL BLANK



| | DIAMETER | MATERIAL | 3,4 | 4,1 | 5,0 |
|--|----------|----------|-----------|-----------|-----------|
| | Ø 12mm | CoCr | 03.34.12C | 03.41.12C | 03.50.12C |
| | Ø 16mm | CoCr | | 03.41.16C | 03.50.16C |
| | Ø 12mm | Titanium | 03.34.12T | 03.41.12T | 03.50.12T |
| | Ø 16mm | Titanium | | 03.41.16T | 03.50.16T |

Screw Reference 03.100
Recommended Torque 20Ncm
Screwdriver Hex 1,20

CASTABLE ABUTMENT



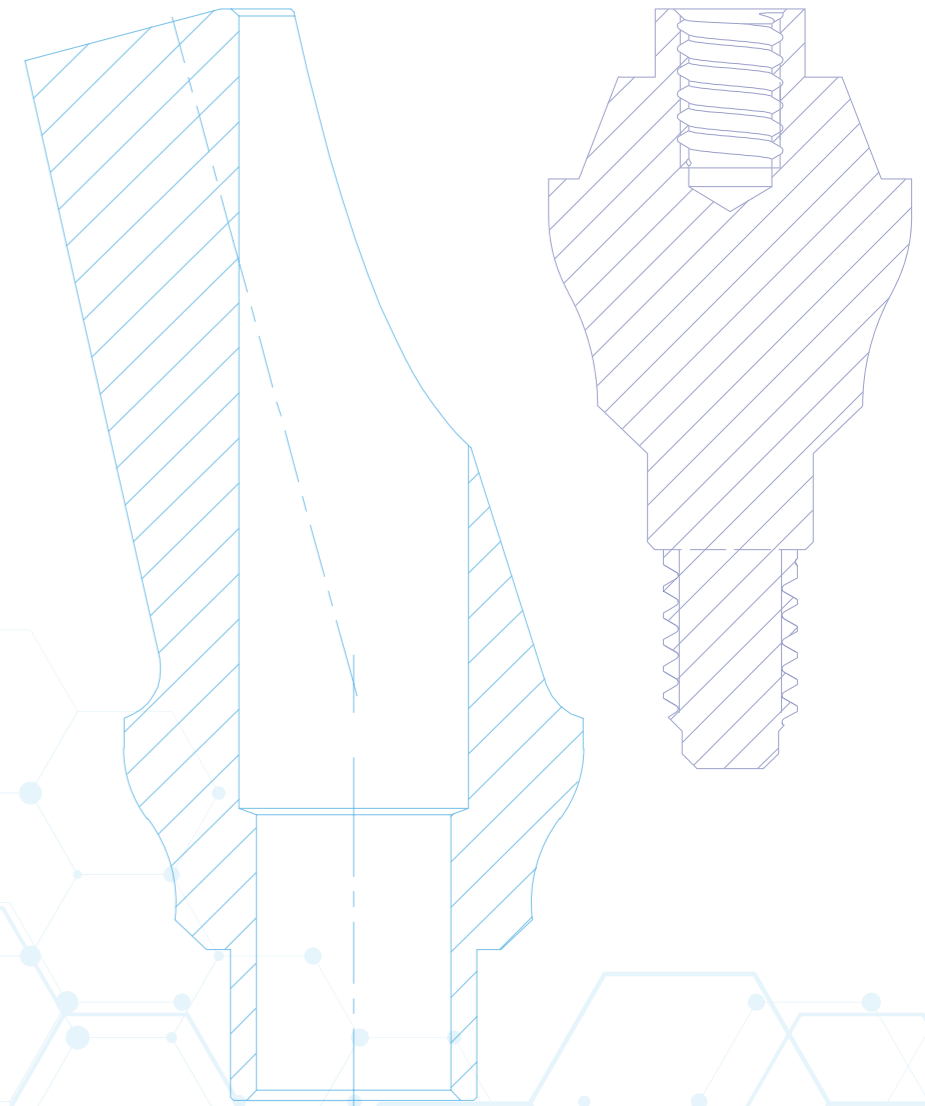
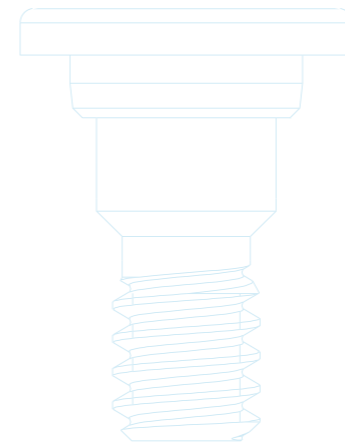
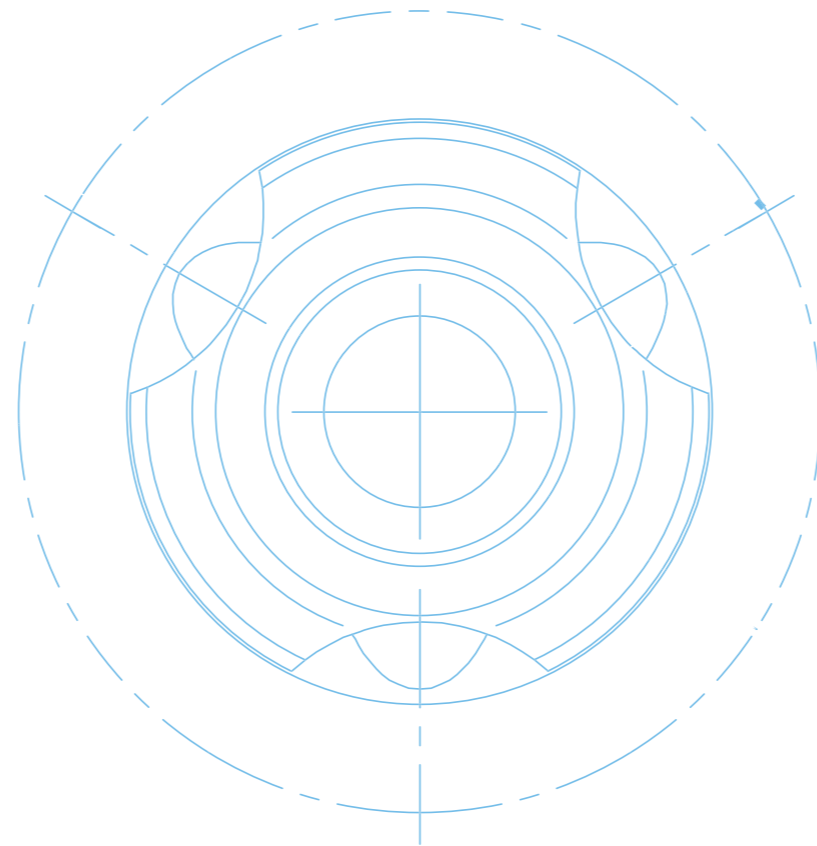
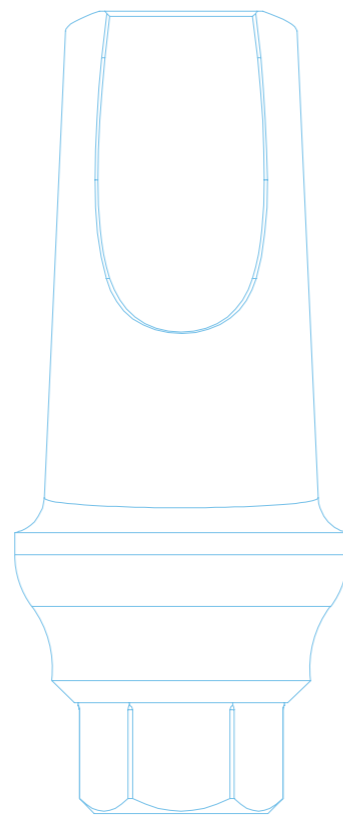
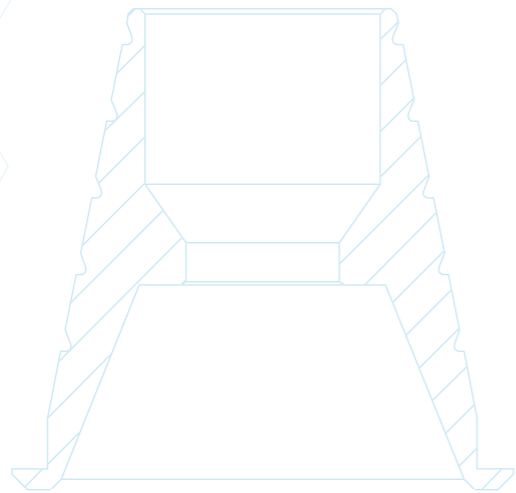
| | | 3,4 | 4,1 | 5,0 |
|---|--|----------|----------|----------|
| ⬡ | | 03.34.30 | 03.41.30 | 03.50.30 |
| ○ | | 03.34.31 | 03.41.31 | 03.50.31 |

Screw Reference 03.130
Recommended Torque 20Ncm
Screwdriver Hex 1,20



TRI-LOBE

compatible with **Nobel Replace Select™**



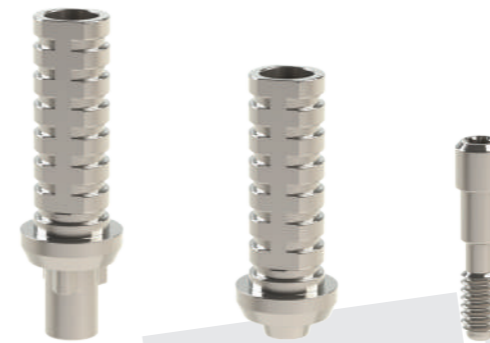


HEALING CAP



| GINGIVA HEIGHT | NP 3,5 | RP 4,3 | WP 5,0 |
|--------------------------------|----------|----------|-----------------|
| 3,0mm | 04.35.41 | 04.43.41 | 04.50.41 |
| 5,0mm | 04.35.42 | 04.43.42 | 04.50.42 |
| Recommended Torque Screwdriver | | | By Hand Unigrip |

TITANIUM TEMPORARY ABUTMENT



| | NP 3,5 | RP 4,3 | WP 5,0 |
|--------------------------------|-----------|----------|---------------|
| ⬡ | 04.35.90 | 04.43.90 | 04.50.90 |
| ○ | 04.35.91 | 04.43.91 | 04.50.91 |
| Screw Reference | 04.35.100 | | 04.100 |
| Recommended Torque Screwdriver | | | 35Ncm Unigrip |

SCAN ABUTMENT



| MATERIAL | NP 3,5 | RP 4,3 | WP 5,0 |
|--------------------------------|-----------|----------|------------------|
| PEEK | 04.35.SA | 04.43.SA | 04.50.SA |
| Screw Reference | 04.35.100 | | 04.100 |
| Titanium/PEEK | 04.35.SB | 04.43.SB | 04.50.SB |
| Screw Reference | 04.35.100 | | 04.198 |
| Recommended Torque Screwdriver | | | By Hand Hex 1,20 |

ANALOG



| | NP 3,5 | RP 4,3 | WP 5,0 |
|--|----------|----------|----------|
| | 04.35.20 | 04.43.20 | 04.50.20 |

*For Lab & Digital Models

IMPRESSION POST



| TYPE | NP 3,5 | RP 4,3 | WP 5,0 |
|--------------------------------|-----------|----------|-----------------|
| Open Tray | 04.35.50 | 04.43.50 | 04.50.50 |
| Screw Reference | 04.35.150 | | 04.150 |
| Recommended Torque Screwdriver | | | By Hand Unigrip |

OVERDENTURE ABUTMENT



| GINGIVA HEIGHT | NP 3,5 | RP 4,3 | WP 5,0 |
|--------------------------------|----------|----------|---------------------|
| 1,0mm | 04.35.81 | 04.43.81 | 04.50.81 |
| 2,0mm | 04.35.82 | 04.43.82 | 04.50.82 |
| 3,0mm | 04.35.83 | 04.43.83 | 04.50.83 |
| 4,0mm | 04.35.84 | 04.43.84 | 04.50.84 |
| Recommended Torque Screwdriver | | | 35Ncm Locator® Tool |



TI-BASE



| GINGIVA HEIGHT | NP 3,5 | RP 4,3 | WP 5,0 |
|--------------------|------------|------------|------------|
| ◻ 0,5mm | 04.35.60.1 | 04.43.60.1 | 04.50.60.1 |
| ◻ 1,5mm | 04.35.60.2 | 04.43.60.2 | 04.50.60.2 |
| ○ 0,5mm | 04.35.61.1 | 04.43.61.1 | 04.50.61.1 |
| ○ 1,5mm | 04.35.61.2 | 04.43.61.2 | 04.50.61.2 |
| Screw Reference | 04.35.160 | | 04.100 |
| Recommended Torque | | | 35Ncm |
| Screwdriver | | | Unigrip |

MULTI-UNIT ABUTMENT



| DEGREES | GINGIVA HEIGHT | NP 3,5 | RP 4,3 | WP 5,0 |
|--------------------|----------------|-------------|-----------------|-------------|
| 0° | 1,0mm | MN04.35.0.1 | MN04.43.0.1 | MN04.50.0.1 |
| 0° | 2,0mm | MN04.35.0.2 | MN04.43.0.2 | MN04.50.0.2 |
| 0° | 3,0mm | MN04.35.0.3 | MN04.43.0.3 | MN04.50.0.3 |
| 0° | 4,0mm | MN04.35.0.4 | MN04.43.0.4 | MN04.50.0.4 |
| Screwdriver | | | Multi Unit Tool | |
| Recommended Torque | | | 35Ncm | |

CoCr CASTABLE ABUTMENT



| | NP 3,5 | RP 4,3 | WP 5,0 |
|--------------------|-----------|----------|----------|
| ◻ | 04.35.70 | 04.43.70 | 04.50.70 |
| ○ | 04.35.71 | 04.43.71 | 04.50.71 |
| Screw Reference | 04.35.100 | | 04.100 |
| Recommended Torque | | | 35Ncm |
| Screwdriver | | | Unigrip |

TITANIUM ABUTMENT



| DEGREES | GINGIVA HEIGHT | NP 3,5 | RP 4,3 | WP 5,0 |
|--------------------|----------------|------------|------------|------------|
| 0° | 1,2mm | 04.35.0.1 | 04.43.0.1 | 04.50.0.1 |
| 0° | 2,7mm | 04.35.0.2 | 04.43.0.2 | 04.50.0.2 |
| 0° | 3,7mm | 04.35.0.3 | 04.43.0.3 | 04.50.0.3 |
| 17° | 1,2mm | 04.35.17.1 | 04.43.17.1 | 04.50.17.1 |
| 17° | 2,7mm | 04.35.17.2 | 04.43.17.2 | 04.50.17.2 |
| 17° | 3,7mm | 04.35.17.3 | 04.43.17.3 | 04.50.17.3 |
| Screw Reference | | | 04.35.100 | 04.100 |
| Recommended Torque | | | | 35Ncm |
| Screwdriver | | | | Unigrip |

CASTABLE ABUTMENT



| | NP 3,5 | RP 4,3 | WP 5,0 |
|--------------------|-----------|----------|----------|
| ◻ | 04.35.30 | 04.43.30 | 04.50.30 |
| ○ | 04.35.31 | 04.43.31 | 04.50.31 |
| Screw Reference | 04.35.100 | | 04.100 |
| Recommended Torque | | | 35Ncm |
| Screwdriver | | | Unigrip |

PREMILL BLANK



| DIAMETER | MATERIAL | NP 3,5 | RP 4,3 | WP 5,0 |
|--------------------|----------|-----------|-----------|-----------|
| Ø 12mm | CoCr | 04.35.12C | 04.43.12C | 04.50.12C |
| Ø 16mm | CoCr | | 04.43.16C | 04.50.16C |
| Ø 12mm | Titanium | 04.35.12T | 04.43.12T | 04.50.12T |
| Ø 16mm | Titanium | | 04.43.16T | 04.50.16T |
| Screw Reference | | | 04.35.100 | 04.100 |
| Recommended Torque | | | | 35Ncm |
| Screwdriver | | | | Unigrip |

MULTI-UNIT PROSTHETIC SYSTEM

- Non engaging
- ⬡ Engaging



HEALING CAP



| | PLATFORM Φ4,8 |
|--------------------|------------------|
| CONE | MU.42 |
| CYLINDER | MU.43 |
| Screw Reference | MU.100 |
| Recommended Torque | By Hand |
| Screwdriver | Hex 1,25 |

ANALOG



| | PLATFORM Φ4,8 |
|--|---------------------------|
| | MU.20 |
| | *For Lab & Digital Models |

IMPRESSION POST



| TYPE | PLATFORM Φ4,8 |
|--------------------|------------------|
| Open Tray | MU.51 |
| Screw Reference | MU.150 |
| Closed Tray | MU.55 |
| Screw Reference | MU.155 |
| Recommended Torque | By Hand |
| Screwdriver | Hex 1,25 |

TI-BASE



| | PLATFORM Φ4,8 |
|--------------------|------------------|
| ⬡ | MU.60 |
| ○ | MU.61 |
| Screw Reference | MU.100 |
| Recommended Torque | 15Ncm |
| Screwdriver | Hex 1,25 |

TITANIUM TEMPORARY ABUTMENT



| | PLATFORM Φ4,8 |
|--------------------|------------------|
| ⬡ | MU.90 |
| ○ | MU.91 |
| Screw Reference | MU.100 |
| Recommended Torque | 15Ncm |
| Screwdriver | Hex 1,25 |

SCAN ABUTMENT



| MATERIAL | PLATFORM Φ4,8 |
|--------------------|------------------|
| Peek | MU.SA |
| Titanium/Peek | MU.SB |
| Screw Reference | MU.100 |
| Recommended Torque | By Hand |
| Screwdriver | Hex 1,25 |

FULL MOUTH SYSTEM

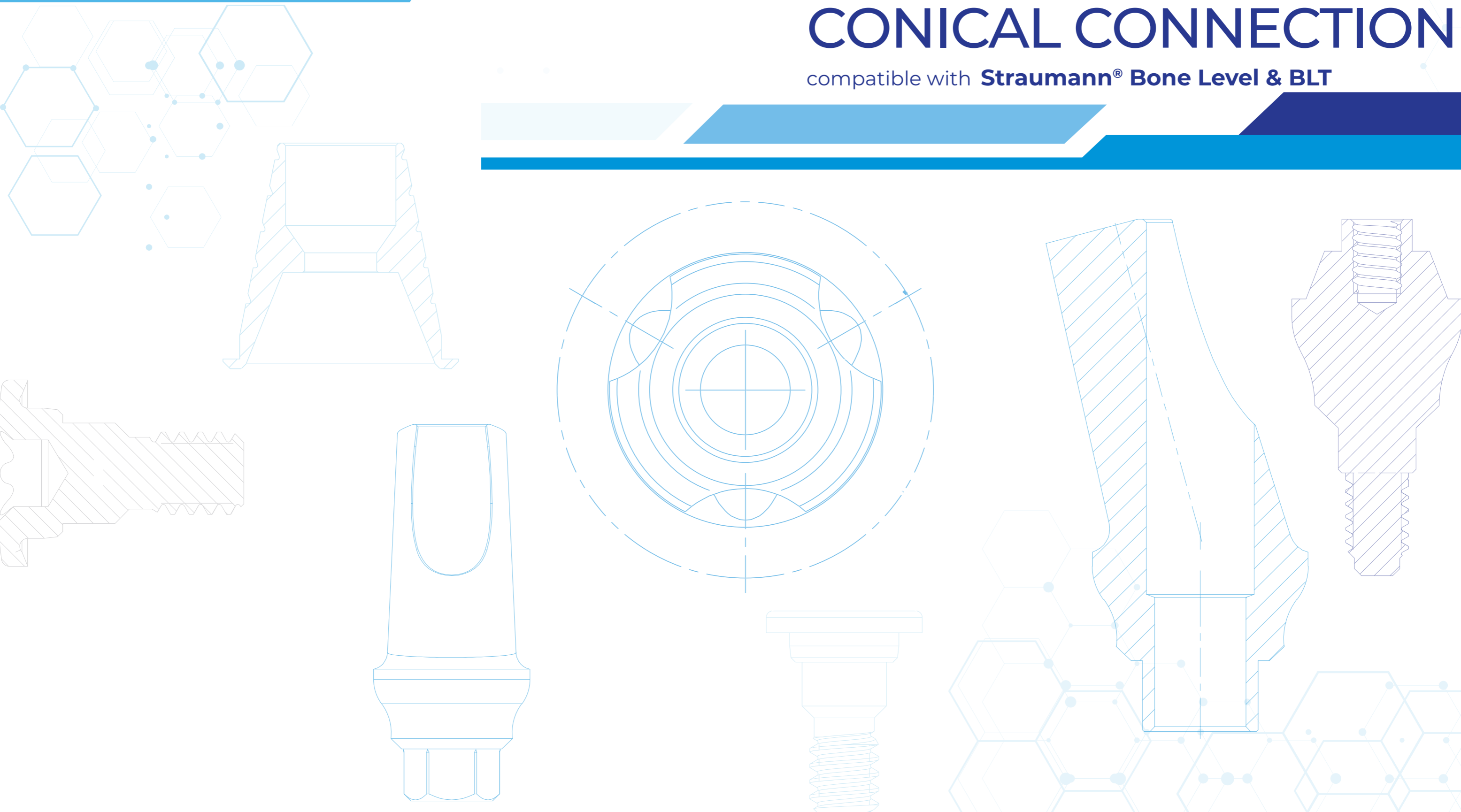


| MATERIAL | PLATFORM Φ4,8 |
|--------------------|------------------|
| Titanium/Peek | MU.SF |
| Screw Reference | MU.100 |
| Recommended Torque | By Hand |
| Screwdriver | Hex 1,25 |



CONICAL CONNECTION

compatible with **Straumann® Bone Level & BLT**





CONICAL CONNECTION

compatible with **Straumann® Bone Level & BLT**

- Non engaging
- ⬡ Engaging



COVER SCREW



| | NC 3,3 | RC 4,1/4,8 |
|-----------------------------------|-----------|-----------------|
| | 05.33.40 | 05.41.40 |
| Recommended Torque Screwdriver | | By Hand Torx |

HEALING CAP



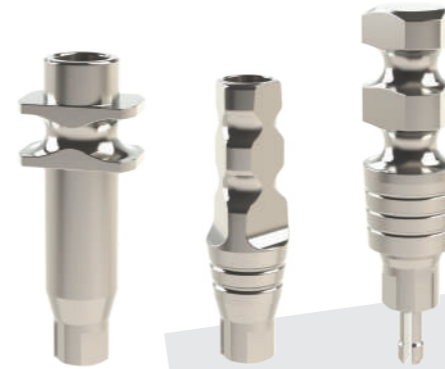
| GINGIVA HEIGHT | NC 3,3 | RC 4,1/4,8 |
|-----------------------------------|-----------|-----------------|
| 3,0mm | 05.33.41 | 05.41.41 |
| 5,0mm | 05.33.42 | 05.41.42 |
| Recommended Torque Screwdriver | | By Hand Torx |

SCAN ABUTMENT



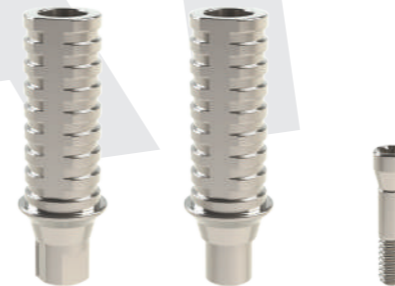
| MATERIAL | NC 3,3 | RC 4,1/4,8 |
|-----------------------------------|-----------|-----------------|
| Peek | 05.33.SA | 05.41.SA |
| Titanium/Peek | 05.33.SB | 05.41.SB |
| Screw Reference | 05.100 | 05.100 |
| Recommended Torque Screwdriver | | By Hand Torx |

IMPRESSION POST



| TYPE | NC 3,3 | RC 4,1/4,8 |
|-----------------------------------|-----------|-----------------|
| Open Tray | 05.33.50 | 05.41.50 |
| Screw Reference | 05.150 | 05.150 |
| Closed Tray | 05.33.55 | 05.41.55 |
| Screw Reference | 05.155 | 05.155 |
| Press Fit | 05.33.56 | 05.41.56 |
| Recommended Torque Screwdriver | | By Hand Torx |

TITANIUM TEMPORARY ABUTMENT



| | NC 3,3 | RC 4,1/4,8 |
|-----------------------------------|-----------|------------------|
| ⬡ | 05.33.90 | 05.41.90 |
| ○ | 05.33.91 | 05.41.91 |
| Screw Reference | 05.100 | 05.100 |
| Recommended Torque Screwdriver | | 20-25Ncm Torx |

ANALOG



| | NC 3,3 | RC 4,1/4,8 |
|--|-----------|---------------------------|
| | 05.33.20 | 05.41.20 |
| | | *For Lab & Digital Models |



CONICAL CONNECTION

compatible with **Straumann® Bone Level & BLT**

- Non engaging
- ⬡ Engaging



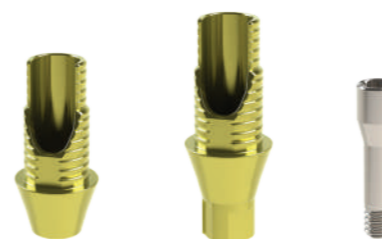
OVERDENTURE ABUTMENT



| GINGIVA HEIGHT | NC 3,3 | RC 4,1/4,8 |
|----------------|----------|------------|
| 1,0mm | 05.33.81 | 05.41.81 |
| 2,0mm | 05.33.82 | 05.41.82 |
| 3,0mm | 05.33.83 | 05.41.83 |
| 4,0mm | 05.33.84 | 05.41.84 |

Recommended Torque Screwdriver 35Ncm
Locator® Tool

TI-BASE ANGLED



| GINGIVA HEIGHT | NC 3,3 | RC 4,1/4,8 |
|----------------|------------|------------|
| ⬡ 1,0mm | 05.33.65.1 | 05.41.65.1 |
| ⬡ 2,0mm | 05.33.65.2 | 05.41.65.2 |
| ⬡ 3,0mm | 05.33.65.3 | 05.41.65.3 |
| ○ 1,0mm | 05.33.66.1 | 05.41.66.1 |
| ○ 2,0mm | 05.33.66.2 | 05.41.66.2 |
| ○ 3,0mm | 05.33.66.3 | 05.41.66.3 |

Screw Reference 05.165
Recommended Torque 25Ncm
Screwdriver Torx Ball
Screwdriver

TI-BASE



| GINGIVA HEIGHT | NC 3,3 | RC 4,1/4,8 |
|----------------|------------|------------|
| ⬡ 1,0mm | 05.33.60.1 | 05.41.60.1 |
| ⬡ 2,0mm | 05.33.60.2 | 05.41.60.2 |
| ⬡ 3,0mm | 05.33.60.3 | 05.41.60.3 |
| ○ 1,0mm | 05.33.61.1 | 05.41.61.1 |
| ○ 2,0mm | 05.33.61.2 | 05.41.61.2 |
| ○ 3,0mm | 05.33.61.3 | 05.41.61.3 |

Screw Reference 05.100
Recommended Torque 35Ncm
Screwdriver Torx

CoCr CASTABLE ABUTMENT



| GINGIVA HEIGHT | NC 3,3 | RC 4,1/4,8 |
|----------------|----------|------------|
| ⬡ 1,0mm | 05.33.70 | 05.41.70 |
| ○ 1,0mm | 05.33.71 | 05.41.71 |

Screw Reference 05.100
Recommended Torque 35Ncm
Screwdriver Torx

CASTABLE ABUTMENT



| GINGIVA HEIGHT | NC 3,3 | RC 4,1/4,8 |
|----------------|----------|------------|
| ⬡ 1,0mm | 05.33.30 | 05.41.30 |
| ○ 1,0mm | 05.33.31 | 05.41.31 |

Screw Reference 05.100
Recommended Torque 35Ncm
Screwdriver Torx



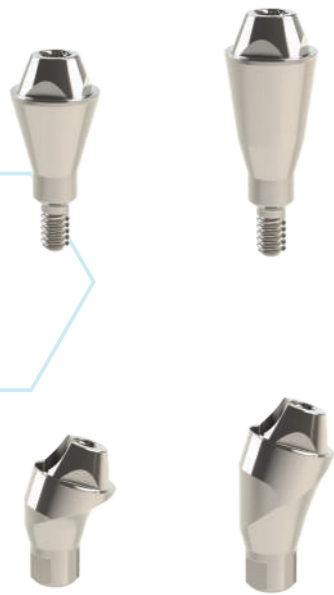
CONICAL CONNECTION

compatible with **Straumann® Bone Level & BLT**

- Non engaging
- ⊞ Engaging



MULTI-UNIT ABUTMENT



| DEGREES | GINGIVA HEIGHT | NC 3,3 | RC 4,1/4,8 |
|--|----------------|----------------------------|--------------|
| 0° | 1,5mm | MU05.33.0.1 | MU05.41.0.1 |
| 0° | 2,5mm | MU05.33.0.2 | MU05.41.0.2 |
| 0° | 3,5mm | MU05.33.0.3 | MU05.41.0.3 |
| 0° | 4,5mm | MU05.33.0.4 | MU05.41.0.4 |
| Screwdriver | | Torx | |
| 17° | 2,5mm | MU05.33.17.1 | MU05.41.17.1 |
| 17° | 3,5mm | MU05.33.17.2 | MU05.41.17.2 |
| 17° | 4,5mm | MU05.33.17.3 | MU05.41.17.3 |
| 17° | 5,5mm | MU05.33.17.4 | MU05.41.17.4 |
| 30° | 3,5mm | MU05.33.30.1 | MU05.41.30.1 |
| 30° | 4,5mm | MU05.33.30.2 | MU05.41.30.2 |
| 30° | 5,5mm | MU05.33.30.3 | MU05.41.30.3 |
| Screw Reference Recommended Torque Screwdriver | | MUA05.100 35Ncm Torx | |

PREMILL BLANK





| DIAMETER | MATERIAL | NC 3,3 | RC 4,1/4,8 |
|--|----------|-------------------------|------------|
| Ø 12mm | CoCr | 05.33.12C | 05.41.12C |
| Ø 16mm | CoCr | 05.33.16C | 05.41.16C |
| Ø 12mm | Titanium | 05.33.12T | 05.41.12T |
| Ø 16mm | Titanium | | 05.41.16T |
| Screw Reference Recommended Torque Screwdriver | | 05.100 35Ncm Torx | |

TITANIUM ABUTMENT



| DEGREES | GINGIVA HEIGHT | NC 3,3 | RC 4,1/4,8 |
|--|----------------|-------------------------|------------|
| 0° | 2,0mm | 05.33.0.1 | 05.41.0.1 |
| 0° | 3,5mm | 05.33.0.2 | 05.41.0.2 |
| 17° | 2,0mm | 05.33.17.1 | 05.41.17.1 |
| 17° | 3,5mm | 05.33.17.2 | 05.41.17.2 |
| 23° | 2,0mm | 05.33.23.1 | 05.41.23.1 |
| 23° | 3,5mm | 05.33.23.2 | 05.41.23.2 |
| Screw Reference Recommended Torque Screwdriver | | 05.100 35Ncm Torx | |

MULTI-UNIT PROSTHETIC SYSTEM

-  Non engaging
-  Engaging



HEALING CAP



| | PLATFORM Φ4,6 |
|--------------------|------------------|
| CONE | MU05.42 |
| CYLINDER | MU05.43 |
| Screw Reference | MU05.100 |
| Recommended Torque | By Hand |
| Screwdriver | Torx |

ANALOG



| | PLATFORM Φ4,6 |
|--|---------------------------|
| | MU05.20 |
| | *For Lab & Digital Models |



IMPRESSION POST



| TYPE | PLATFORM Φ4,6 |
|--------------------|------------------|
| Open Tray | MU05.51 |
| Screw Reference | MU05.150 |
| Closed Tray | MU05.55 |
| Screw Reference | MU05.155 |
| Recommended Torque | By Hand |
| Screwdriver | Torx |


TI-BASE



| | PLATFORM Φ4,6 |
|---|------------------|
|  | MU05.60 |
|  | MU05.61 |
| Screw Reference | MU05.100 |
| Recommended Torque | 15Ncm |
| Screwdriver | Torx |

TITANIUM TEMPORARY ABUTMENT



| | PLATFORM Φ4,6 |
|---|------------------|
|  | MU05.91 |
| Screw Reference | MU05.100 |
| Recommended Torque | 15Ncm |
| Screwdriver | Torx |

SCAN ABUTMENT



| MATERIAL | PLATFORM Φ4,6 |
|--------------------|------------------|
| Peek | MU05.SA |
| Titanium/Peek | MU05.SB |
| Screw Reference | MU05.100 |
| Recommended Torque | By Hand |
| Screwdriver | Torx |

FULL MOUTH SYSTEM

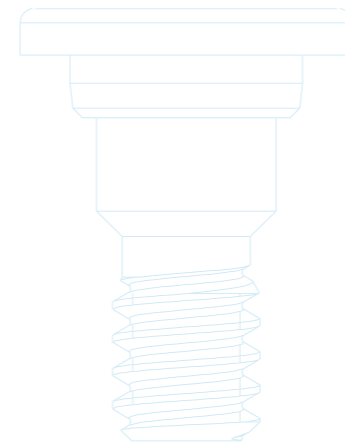
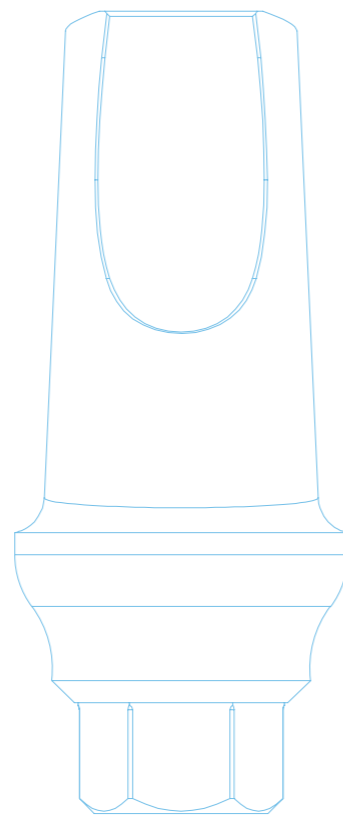
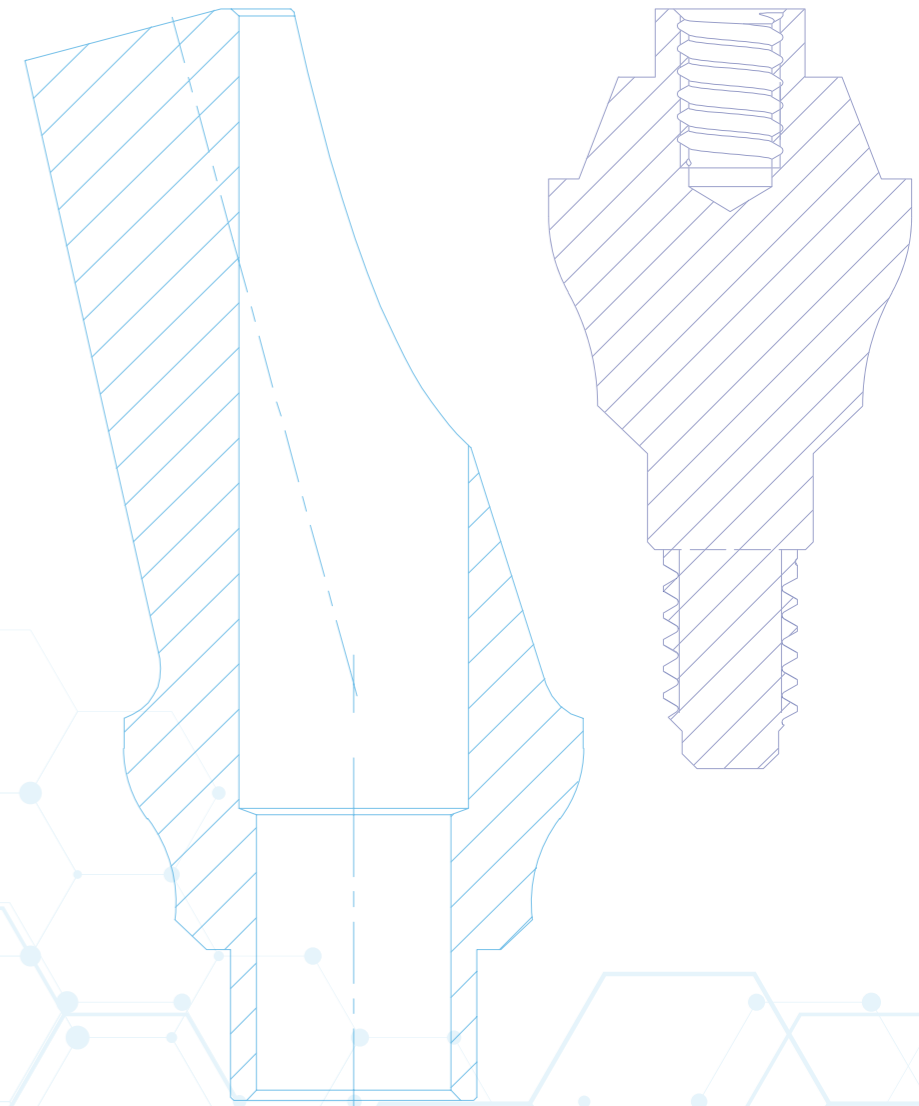
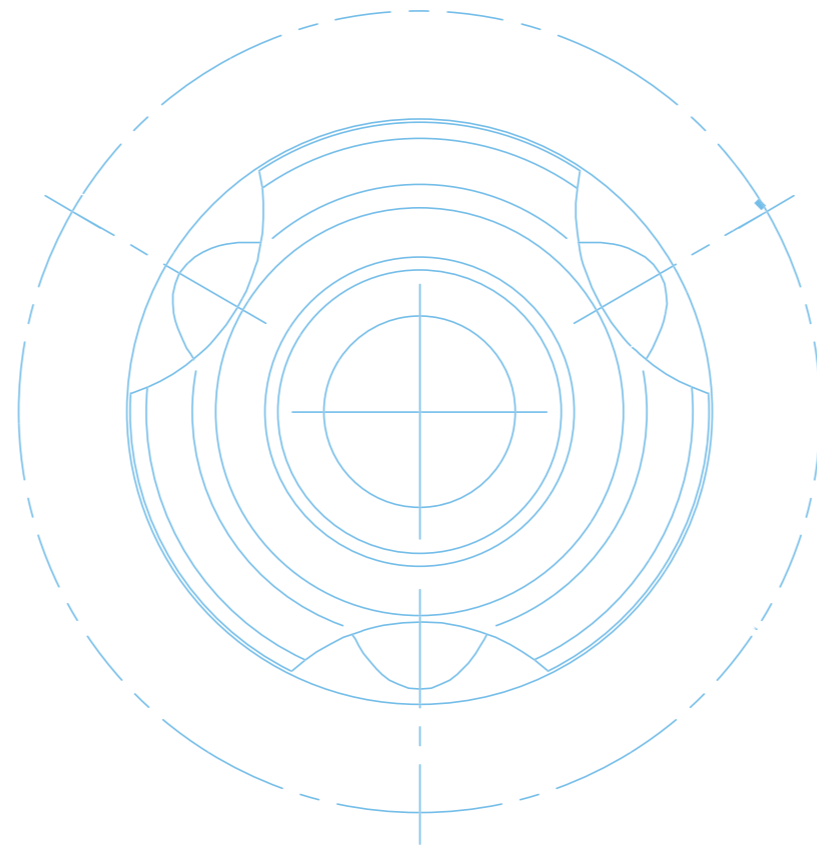
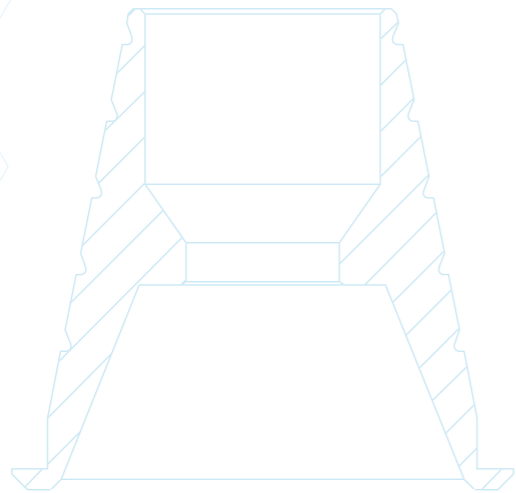


| MATERIAL | PLATFORM Φ4,6 |
|--------------------|------------------|
| Titanium/Peek | MU05.SF |
| Screw Reference | MU05.100 |
| Recommended Torque | By Hand |
| Screwdriver | Torx |



INTERNAL HEX

compatible with **Mis[®] Seven**





HEALING CAP



| GINGIVA HEIGHT | NP 3,3 | SP 3,75/4,2 | WP 5,0/6,0 |
|--------------------------------|----------|-------------|------------------|
| 3,0mm | 06.33.43 | 06.37.43 | 06.45.43 |
| 5,0mm | 06.33.45 | 06.37.45 | 06.45.45 |
| 6,0mm | | 06.37.46 | |
| Recommended Torque Screwdriver | | | By Hand Hex 1,25 |

TITANIUM TEMPORARY ABUTMENT



| | NP 3,3 | SP 3,75/4,2 | WP 5,0/6,0 |
|--------------------------------|-----------|-------------|-------------------|
| ◻ | 06.33.90 | 06.37.90 | 06.45.90 |
| ○ | 06.33.91 | 06.37.91 | 06.45.91 |
| Screw Reference | 06.33.100 | | 06.100 |
| Recommended Torque Screwdriver | | | 20-25Ncm Hex 1,25 |

SCAN ABUTMENT



| MATERIAL | NP 3,3 | SP 3,75/4,2 | WP 5,0/6,0 |
|--------------------------------|-----------|-------------|------------------|
| Peek | 06.33.SA | 06.37.SA | 06.45.SA |
| Titanium/Peek | 06.33.SB | 06.37.SB | 06.45.SB |
| Screw Reference | 06.33.100 | | 06.100 |
| Recommended Torque Screwdriver | | | By Hand Hex 1,25 |

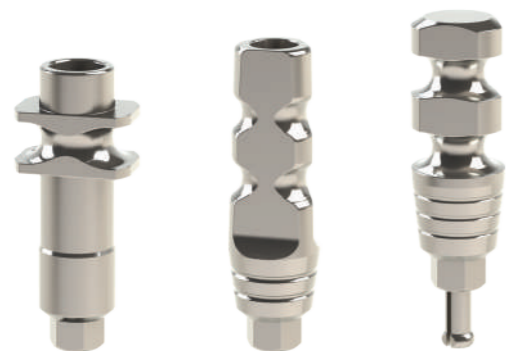
ANALOG



| | NP 3,3 | SP 3,75/4,2 | WP 5,0/6,0 |
|---|----------|-------------|------------|
| ○ | 06.33.20 | 06.37.20 | 06.45.20 |

*For Lab & Digital Models

IMPRESSION POST



| TYPE | NP 3,3 | SP 3,75/4,2 | WP 5,0/6,0 |
|--------------------------------|-----------|-------------|------------------|
| Open Tray | 06.33.50 | 06.37.50 | 06.45.50 |
| Screw Reference | 06.33.150 | | 06.150 |
| Closed Tray | 06.33.55 | 06.37.55 | 06.45.55 |
| Screw Reference | 06.33.155 | | 06.155 |
| Press Fit | 06.33.56 | 06.37.56 | 06.45.56 |
| Recommended Torque Screwdriver | | | By Hand Hex 1,25 |

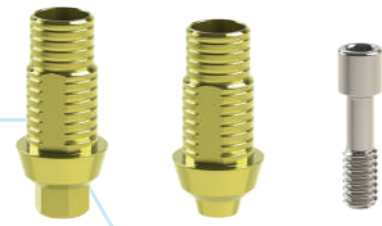
OVERDENTURE ABUTMENT



| GINGIVA HEIGHT | NP 3,3 | SP 3,75/4,2 | WP 5,0/6,0 |
|--------------------------------|----------|-------------|---------------------|
| 1,0mm | 06.33.81 | 06.37.81 | 06.45.81 |
| 2,0mm | 06.33.82 | 06.37.82 | 06.45.82 |
| 3,0mm | 06.33.83 | 06.37.83 | 06.45.83 |
| 4,0mm | 06.33.84 | 06.37.84 | 06.45.84 |
| 5,0mm | | 06.37.85 | 06.45.85 |
| 6,0mm | | 06.37.86 | |
| Recommended Torque Screwdriver | | | 30Ncm Locator® Tool |

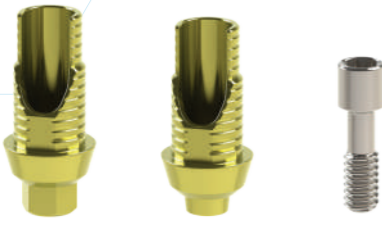


TI-BASE



| | GINGIVA HEIGHT | NP 3,3 | SP 3,75/4,2 | WP 5,0/6,0 |
|--------------------|----------------|------------|-------------|------------|
| ⬡ | 0,5mm | 06.33.60.1 | 06.37.60.1 | 06.45.60.1 |
| ⬡ | 1,5mm | 06.33.60.2 | 06.37.60.2 | 06.45.60.2 |
| ⬡ | 2,5mm | 06.33.60.3 | 06.37.60.3 | 06.45.60.3 |
| ○ | 0,5mm | 06.33.61.1 | 06.37.61.1 | 06.45.61.1 |
| ○ | 1,5mm | 06.33.61.2 | 06.37.61.2 | 06.45.61.2 |
| ○ | 2,5mm | 06.33.61.3 | 06.37.61.3 | 06.45.61.3 |
| Screw Reference | | 06.33.100 | | 06.100 |
| Recommended Torque | | | | 30Ncm |
| Screwdriver | | | | Hex 1,25 |

TI-BASE ANGLED



| | GINGIVA HEIGHT | NP 3,3 | SP 3,75/4,2 | WP 5,0/6,0 |
|--------------------|----------------|------------|-------------|-----------------------|
| ⬡ | 0,5mm | 06.33.65.1 | 06.37.65.1 | 06.45.65.1 |
| ⬡ | 1,5mm | 06.33.65.2 | 06.37.65.2 | 06.45.65.2 |
| ⬡ | 2,5mm | 06.33.65.3 | 06.37.65.3 | 06.45.65.3 |
| ○ | 0,5mm | 06.33.66.1 | 06.37.66.1 | 06.45.66.1 |
| ○ | 1,5mm | 06.33.66.2 | 06.37.66.2 | 06.45.66.2 |
| ○ | 2,5mm | 06.33.66.3 | 06.37.66.3 | 06.45.66.3 |
| Screw Reference | | 06.33.165 | | 06.165 |
| Recommended Torque | | | | 25Ncm |
| Screwdriver | | | | Torx Ball Screwdriver |

CoCr CASTABLE ABUTMENT



| | NP 3,3 | SP 3,75/4,2 | WP 5,0/6,0 | |
|--------------------|----------|-------------|------------|----------|
| ⬡ | 06.33.70 | 06.37.70 | 06.45.70 | |
| ○ | 06.33.71 | 06.37.71 | 06.45.71 | |
| Screw Reference | | 06.33.100 | | 06.100 |
| Recommended Torque | | | | 30Ncm |
| Screwdriver | | | | Hex 1,25 |

CASTABLE ABUTMENT



| | NP 3,3 | SP 3,75/4,2 | WP 5,0/6,0 | |
|--------------------|----------|-------------|------------|----------|
| ⬡ | 06.33.30 | 06.37.30 | 06.45.30 | |
| ○ | 06.33.31 | 06.37.31 | 06.45.31 | |
| Screw Reference | | 06.33.100 | | 06.100 |
| Recommended Torque | | | | 30Ncm |
| Screwdriver | | | | Hex 1,25 |



BALL ABUTMENT



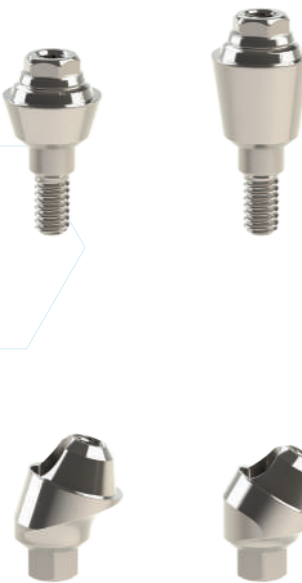
| GINGIVA HEIGHT | NP 3,3 | SP 3,75/4,2 |
|--------------------------------|-------------------|-------------|
| 1,0mm | 06.33.851 | 06.37.851 |
| 3,0mm | 06.33.853 | 06.37.853 |
| Recommended Torque Screwdriver | 30Ncm Hex 1,25 | |

TITANIUM ABUTMENT



| DEGREES | GINGIVA HEIGHT | NP 3,3 | SP 3,75/4,2 | WP 5,0/6,0 |
|--------------------------------|----------------|------------|-------------|-------------------|
| 0° | 1,2mm | 06.33.0.1 | 06.37.0.1 | 06.45.0.1 |
| 0° | 2,7mm | 06.33.0.2 | 06.37.0.2 | 06.45.0.2 |
| 0° | 3,7mm | 06.33.0.3 | 06.37.0.3 | 06.45.0.3 |
| 17° | 1,2mm | 06.33.17.1 | 06.37.17.1 | 06.45.17.1 |
| 17° | 2,7mm | 06.33.17.2 | 06.37.17.2 | 06.45.17.2 |
| 17° | 3,7mm | 06.33.17.3 | 06.37.17.3 | 06.45.17.3 |
| 23° | 1,2mm | | 06.37.23.1 | 06.45.23.1 |
| 23° | 2,7mm | | 06.37.23.2 | 06.45.23.2 |
| 23° | 3,7mm | | 06.37.23.3 | 06.45.23.3 |
| Screw Reference | | 06.33.100 | | 06.100 |
| Recommended Torque Screwdriver | | | | 30Ncm Hex 1,25 |

MULTI-UNIT ABUTMENT



| DEGREES | GINGIVA HEIGHT | NP 3,3 | SP 3,75/4,2 | WP 5,0/6,0 |
|--------------------------------|----------------|--------------|--------------|---------------------|
| 0° | 1,0mm | MU06.33.0.1 | MU06.37.0.1 | MU06.45.0.1 |
| 0° | 2,0mm | MU06.33.0.2 | MU06.37.0.2 | MU06.45.0.2 |
| 0° | 3,0mm | MU06.33.0.3 | MU06.37.0.3 | MU06.45.0.3 |
| 0° | 4,0mm | MU06.33.0.4 | MU06.37.0.4 | MU06.45.0.4 |
| Screwdriver | | | | Multi Unit Tool MIS |
| 17° | 2,5mm | MU06.33.17.1 | MU06.37.17.1 | MU06.45.17.1 |
| 17° | 3,5mm | MU06.33.17.2 | MU06.37.17.2 | MU06.45.17.2 |
| 30° | 4,0mm | MU06.33.30.1 | MU06.37.30.1 | MU06.45.30.1 |
| 30° | 5,0mm | MU06.33.30.2 | MU06.37.30.2 | MU06.45.30.2 |
| Screw Reference | | MUA06.33.100 | | MUA06.100 |
| Recommended Torque Screwdriver | | | | 30Ncm Hex 1,25 |

PREMILL BLANK



| DIAMETER | MATERIAL | NP 3,3 | SP 3,75/4,2 | WP 5,0/6,0 |
|--------------------------------|----------|-----------|-------------|-------------------|
| Ø 12mm | CoCr | 06.33.12C | 06.37.12C | 06.45.12C |
| Ø 16mm | CoCr | | 06.37.16C | 06.45.16C |
| Ø 12mm | Titanium | 06.33.12T | 06.37.12T | 06.45.12T |
| Ø 16mm | Titanium | | 06.37.16T | 06.45.16T |
| Screw Reference | | 06.33.100 | | 06.100 |
| Recommended Torque Screwdriver | | | | 30Ncm Hex 1,25 |

MULTI-UNIT PROSTHETIC SYSTEM

- Non engaging
- ⊕ Engaging



HEALING CAP



| | PLATFORM Φ4,8 |
|--------------------|------------------|
| CONE | MU06.42 |
| CYLINDER | MU06.43 |
| Screw Reference | MU06.100 |
| Recommended Torque | By Hand |
| Screwdriver | Hex 1,25 |

IMPRESSION POST



| TYPE | PLATFORM Φ4,8 |
|--------------------|------------------|
| Open Tray | MU06.51 |
| Screw Reference | MU06.150 |
| Closed Tray | MU06.55 |
| Screw Reference | MU06.155 |
| Recommended Torque | By Hand |
| Screwdriver | Hex 1,25 |

ANALOG



| | PLATFORM Φ4,8 |
|--|---------------------------|
| | MU06.20 |
| | *For Lab & Digital Models |

TITANIUM TEMPORARY ABUTMENT



| GINGIVA HEIGHT | PLATFORM Φ4,8 |
|--------------------|------------------|
| 1,5mm | MU06.91 |
| 0,2mm | MU06.92 |
| Screw Reference | MU06.100 |
| Recommended Torque | 20Ncm |
| Screwdriver | Hex 1,25 |

TI-BASE



| | PLATFORM Φ4,8 |
|--------------------|------------------|
| ○ | MU06.61 |
| Screw Reference | MU06.100 |
| Recommended Torque | 20Ncm |
| Screwdriver | Hex 1,25 |

SCAN ABUTMENT



| MATERIAL | PLATFORM Φ4,8 |
|--------------------|------------------|
| Peek | MU06.SA |
| Titanium/Peek | MU06.SB |
| Screw Reference | MU06.100 |
| Recommended Torque | By Hand |
| Screwdriver | Hex 1,25 |

FULL MOUTH SYSTEM

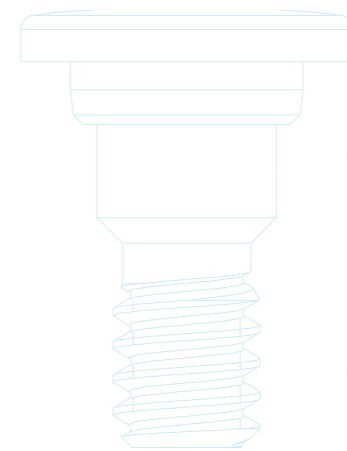
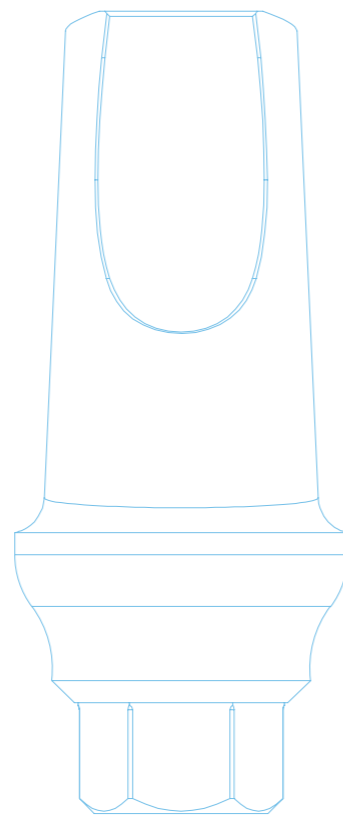
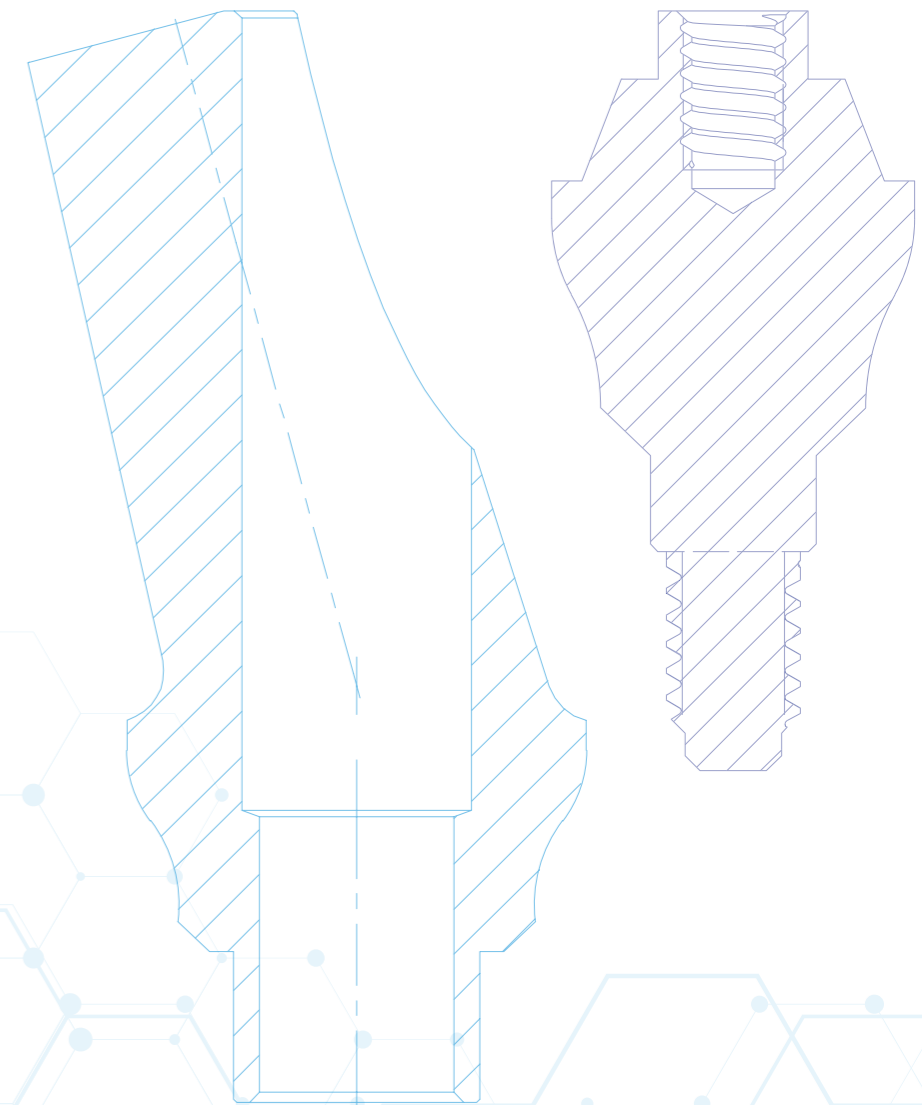
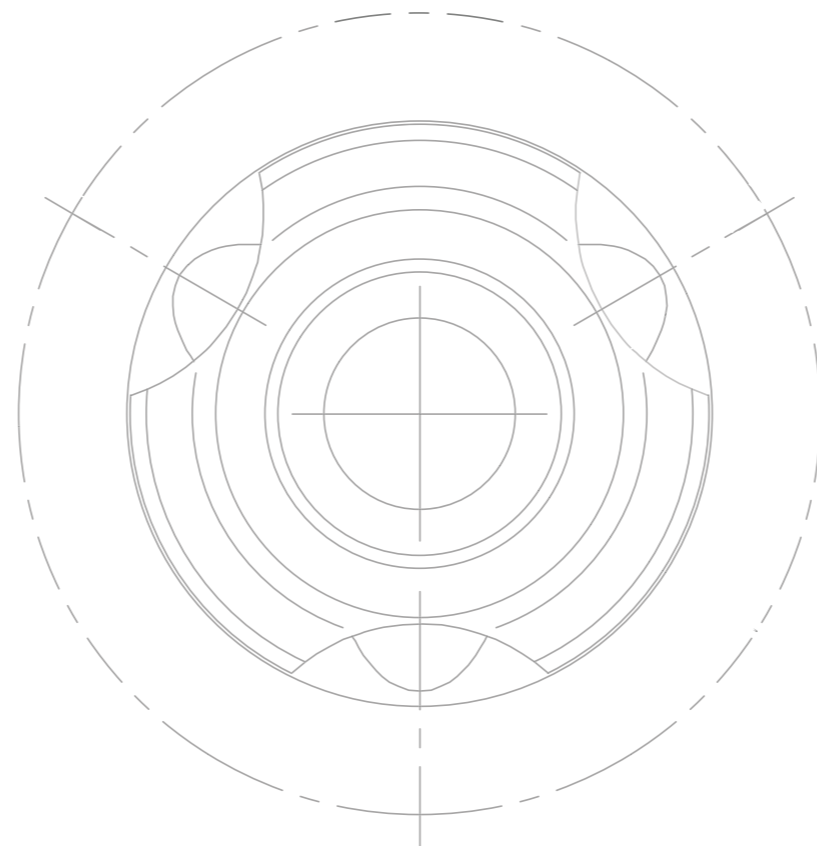
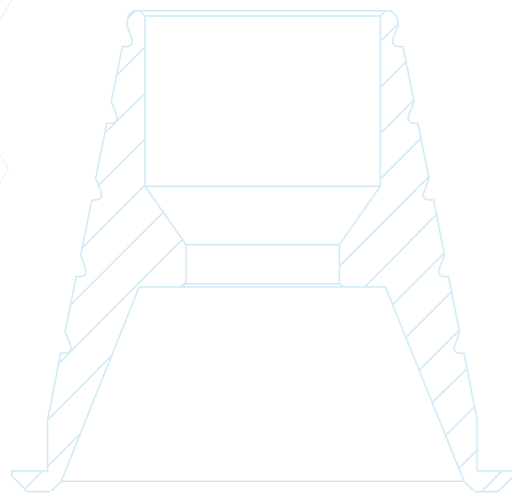


| MATERIAL | PLATFORM Φ4,8 |
|--------------------|------------------|
| Titanium/Peek | MU06.SF |
| Screw Reference | MU06.100 |
| Recommended Torque | By Hand |
| Screwdriver | Hex 1,25 |



CONICAL CONNECTION

compatible with **NOBEL ACTIVE® / Replace® CC / Parallel® CC**





CONICAL CONNECTION

compatible with NOBEL ACTIVE® / Replace® CC / Parallel® CC

- Non engaging
- ⬡ Engaging



HEALING CAP



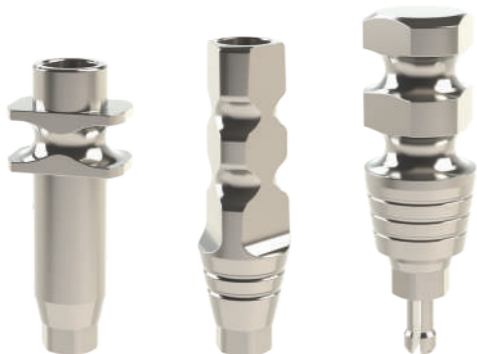
| GINGIVA HEIGHT | NP 3,5 | RP 4,3/5,0 | WP 5,5 |
|--------------------------------|--------|------------|-----------------|
| Ø 4 x 3,0mm | | 08.44.41 | |
| Ø 4 x 5,0mm | | 08.44.42 | |
| Ø 4 x 7,0mm | | 08.44.43 | |
| Ø 5 x 3,0mm | | 08.45.41 | |
| Ø 5 x 5,0mm | | 08.45.42 | |
| Ø 5 x 3,0mm | | 08.45.43 | |
| Recommended Torque Screwdriver | | | By Hand Unigrip |

SCAN ABUTMENT



| MATERIAL | NP 3,5 | RP 4,3/5,0 | WP 5,5 |
|--------------------------------|-----------|------------|-----------------|
| Peek | 08.35.SA | 08.43.SA | |
| Screw Reference | 08.35.100 | 08.100 | |
| Titanium/Peek | 08.35.SB | 08.43.SB | |
| Screw Reference | 08.35.100 | 08.198 | |
| Recommended Torque Screwdriver | | | By Hand Unigrip |

IMPRESSION POST



| TYPE | NP 3,5 | RN 4,3/5,0 | WN 5,5 |
|--------------------------------|-----------|------------|-----------------|
| Open Tray | 08.35.50 | 08.43.50 | |
| Screw Reference | 08.35.150 | 08.150 | |
| Closed Tray | 08.35.55 | 08.43.55 | |
| Screw Reference | 08.35.155 | 08.155 | |
| Press Fit | 08.35.56 | 08.43.56 | |
| Recommended Torque Screwdriver | | | By Hand Unigrip |

TITANIUM TEMPORARY ABUTMENT



| | NP 3,5 | RP 4,3/5,0 | WP 5,5 |
|--------------------------------|-----------|------------|---------------|
| ⬡ | 08.35.90 | 08.43.90 | |
| ○ | 08.35.91 | 08.43.91 | |
| Screw Reference | 08.35.100 | 08.100 | |
| Recommended Torque Screwdriver | | | 35Ncm Unigrip |

ANALOG



| | NP 3,5 | RP 4,3/5,0 | WP 5,5 |
|---------------------------|----------|------------|--------|
| | 08.35.20 | 08.43.20 | |
| *For Lab & Digital Models | | | |

OVERDENTURE ABUTMENT



| GINGIVA HEIGHT | NP 3,5 | RP 4,3/5,0 | WP 5,5 |
|--------------------------------|----------|------------|---------------------|
| 1,0mm | 08.35.81 | 08.43.81 | |
| 2,0mm | 08.35.82 | 08.43.82 | |
| 3,0mm | 08.35.83 | 08.43.83 | |
| 4,0mm | 08.35.84 | 08.43.84 | |
| Recommended Torque Screwdriver | | | 35Ncm Locator® Tool |



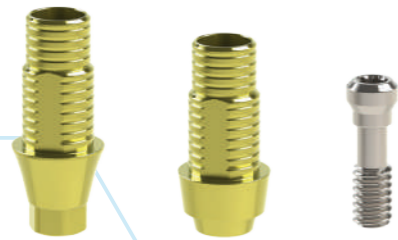
CONICAL CONNECTION

compatible with NOBEL ACTIVE® / Replace® CC / Parallel® CC

- Non engaging
- ⬡ Engaging



TI-BASE



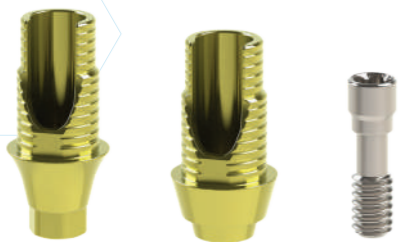
| | GINGIVA HEIGHT | NP 3,5 | RP 4,3/5,0 | WP 5,5 |
|--------------------|----------------|------------|------------|---------|
| ⬡ | 1,0mm | 08.35.60.1 | 08.43.60.1 | |
| ⬡ | 2,0mm | 08.35.60.2 | 08.43.60.2 | |
| ⬡ | 3,0mm | 08.35.60.3 | 08.43.60.3 | |
| ○ | 1,0mm | 08.35.61.1 | 08.43.61.1 | |
| ○ | 2,0mm | 08.35.61.2 | 08.43.61.2 | |
| ○ | 3,0mm | 08.35.61.3 | 08.43.61.3 | |
| Screw Reference | | 08.35.100 | 08.100 | |
| Recommended Torque | | | | 35Ncm |
| Screwdriver | | | | Unigrip |

CoCr CASTABLE ABUTMENT



| | | NP 3,5 | RP 4,3/5,0 | WP 5,5 |
|--------------------|--|-----------|------------|---------|
| ⬡ | | 08.35.70 | 08.43.70 | |
| ○ | | 08.35.71 | 08.43.71 | |
| Screw Reference | | 08.35.100 | 08.100 | |
| Recommended Torque | | | | 35Ncm |
| Screwdriver | | | | Unigrip |

TI-BASE ANGLED



| | GINGIVA HEIGHT | NP 3,5 | RP 4,3/5,0 | WP 5,5 |
|--------------------|----------------|------------|------------|-----------|
| ⬡ | 1,0mm | 08.35.65.1 | 08.43.65.1 | |
| ⬡ | 2,0mm | 08.35.65.2 | 08.43.65.2 | |
| ⬡ | 3,0mm | 08.35.65.3 | 08.43.65.3 | |
| ○ | 1,0mm | 08.35.66.1 | 08.43.66.1 | |
| ○ | 2,0mm | 08.35.66.2 | 08.43.66.2 | |
| ○ | 3,0mm | 08.35.66.3 | 08.43.66.3 | |
| Screw Reference | | 08.35.165 | 08.165 | |
| Recommended Torque | | | | 25Ncm |
| Screwdriver | | | | Torx Ball |



CONICAL CONNECTION

compatible with NOBEL ACTIVE® / Replace® CC / Parallel® CC

- Non engaging
- ⊞ Engaging



MULTI-UNIT ABUTMENT



| DEGREES | GINGIVA HEIGHT | NP 3,5 | RP 4,3/5,0 | WP 5,5 |
|--|----------------|--------------|--------------|--------------------------|
| 0° | 1,0mm | MN08.35.0.1 | MN08.43.0.1 | |
| 0° | 2,0mm | MN08.35.0.2 | MN08.43.0.2 | |
| 0° | 3,0mm | MN08.35.0.3 | MN08.43.0.3 | |
| 0° | 4,0mm | MN08.35.0.4 | MN08.43.0.4 | |
| Recommended Torque Screwdriver | | | | 35Ncm Multi Unit Tool |
| 17° | 2,5mm | MN08.35.17.1 | MN08.43.17.1 | |
| 17° | 3,5mm | MN08.35.17.2 | MN08.43.17.2 | |
| 30° | 3,5mm | MN08.35.30.1 | MN08.43.30.1 | |
| 30° | 4,5mm | MN08.35.30.2 | MN08.43.30.2 | |
| Screw Reference Recommended Torque Screwdriver | | MUA08.101 | MUA08.100 | 25Ncm Unigrip |

PREMILL BLANK



| DIAMETER | MATERIAL | NP 3,5 | RP 4,3/5,0 | WP 5,5 |
|--|----------|-----------|------------|------------------|
| Ø 12mm | CoCr | 08.35.12C | 08.43.12C | |
| Ø 16mm | CoCr | 08.35.16C | 08.43.16C | |
| Ø 12mm | Titanium | 08.35.12T | 08.43.12T | |
| Ø 16mm | Titanium | | 08.43.16T | |
| Screw Reference Recommended Torque Screwdriver | | 08.35.100 | 08.100 | 35Ncm Unigrip |

TITANIUM ABUTMENT



| DEGREES | GINGIVA HEIGHT | NP 3,5 | RP 4,3/5,0 | WP 5,5 |
|--|----------------|------------|------------|------------------|
| 0° | 1,5mm | 08.35.0.1 | 08.43.0.1 | |
| 0° | 3,0mm | 08.35.0.2 | 08.43.0.2 | |
| 17° | 1,5mm | 08.35.17.1 | 08.43.17.1 | |
| 17° | 3,0mm | 08.35.17.2 | 08.43.17.2 | |
| Screw Reference Recommended Torque Screwdriver | | 08.35.100 | 08.100 | 35Ncm Unigrip |

DRAFT

MULTI-UNIT PROSTHETIC SYSTEM

- Non engaging
- ◻ Engaging



HEALING CAP



| | PLATFORM Φ4,8 |
|--------------------|------------------|
| CONE | MU.42 |
| CYLINDER | MU.43 |
| Screw Reference | MU.100 |
| Recommended Torque | By Hand |
| Screwdriver | Hex 1,25 |

ANALOG



| | PLATFORM Φ4,8 |
|---------------------------|------------------|
| | MU.20 |
| *For Lab & Digital Models | |

IMPRESSION POST



| TYPE | PLATFORM Φ4,8 |
|--------------------|------------------|
| Open Tray | MU.51 |
| Screw Reference | MU.150 |
| Closed Tray | MU.55 |
| Screw Reference | MU.155 |
| Recommended Torque | By Hand |
| Screwdriver | Hex 1,25 |

TI-BASE



| | PLATFORM Φ4,8 |
|--------------------|------------------|
| ◻ | MU.60 |
| ○ | MU.61 |
| Screw Reference | MU.100 |
| Recommended Torque | 15Ncm |
| Screwdriver | Hex 1,25 |

TITANIUM TEMPORARY ABUTMENT



| GINGIVA HEIGHT | PLATFORM Φ4,8 |
|--------------------|------------------|
| 1,5mm | MU.91 |
| 0,2mm | MU.92 |
| Screw Reference | MU.100 |
| Recommended Torque | 15Ncm |
| Screwdriver | Hex 1,25 |

SCAN ABUTMENT



| MATERIAL | PLATFORM Φ4,8 |
|--------------------|------------------|
| Peek | MU.SA |
| Titanium/Peek | MU.SB |
| Screw Reference | MU.100 |
| Recommended Torque | By Hand |
| Screwdriver | Hex 1,25 |

FULL MOUTH SYSTEM

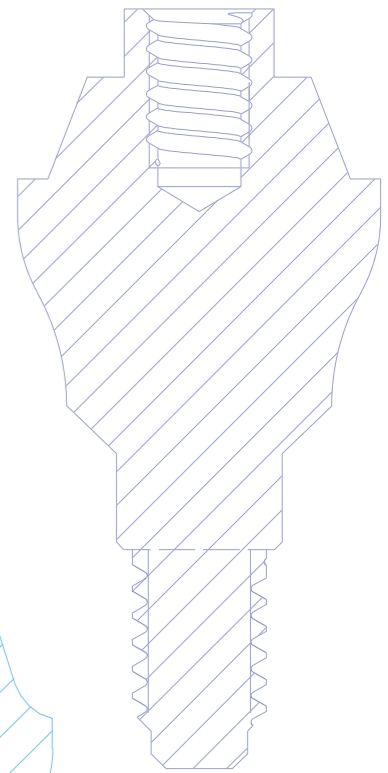
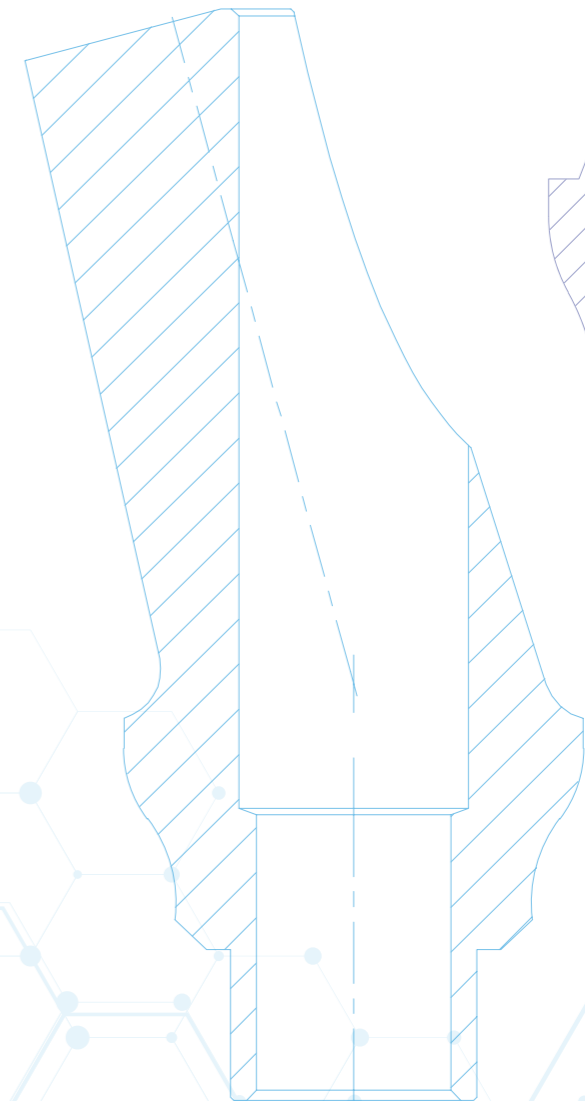
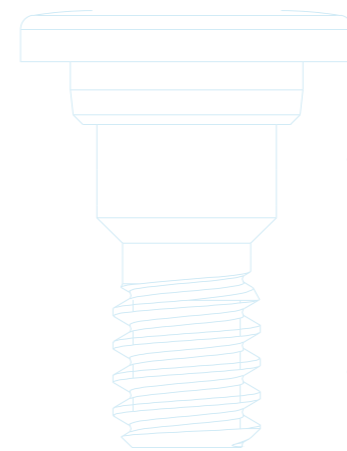
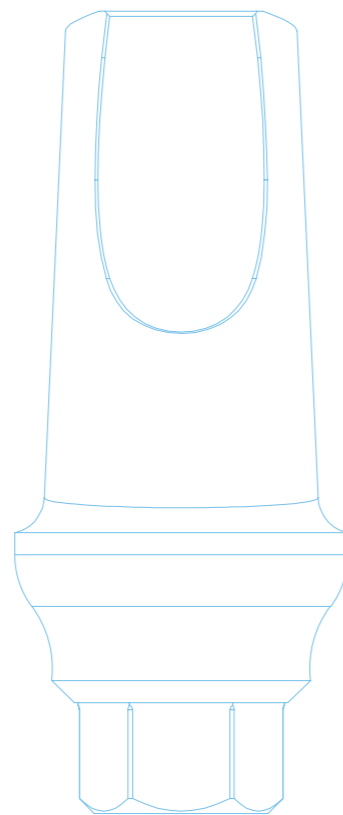
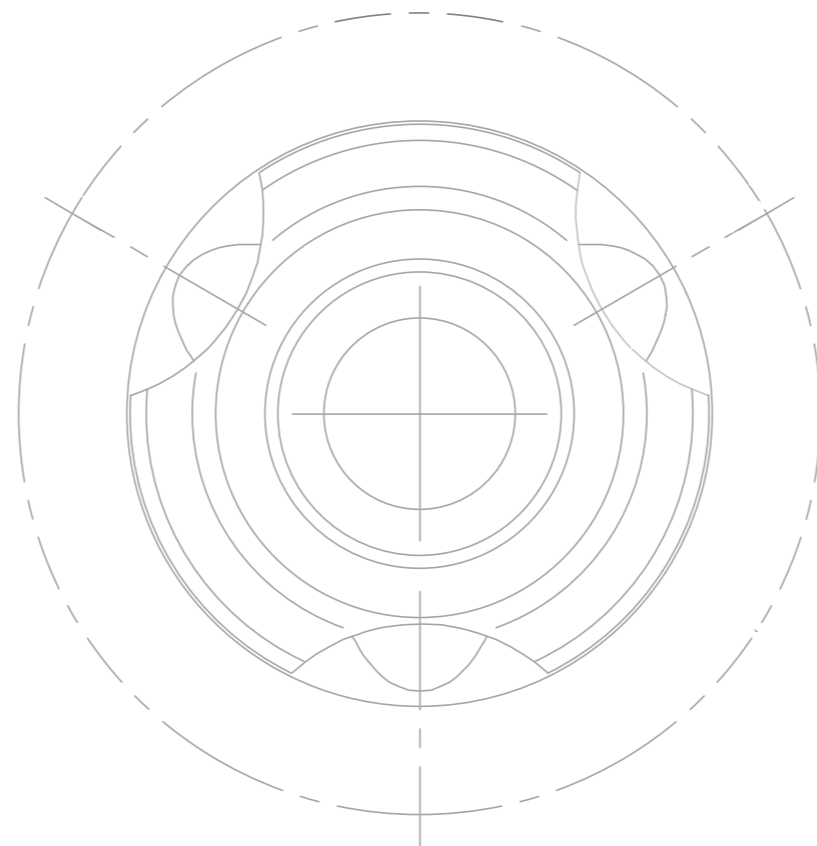
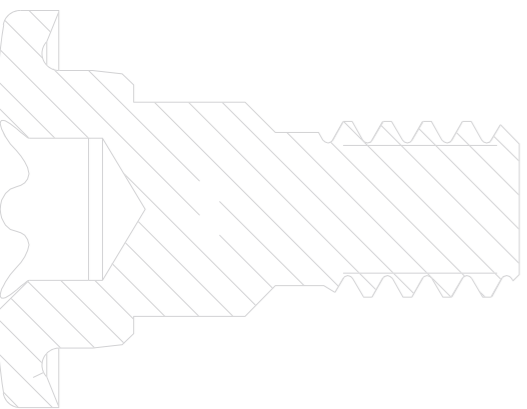
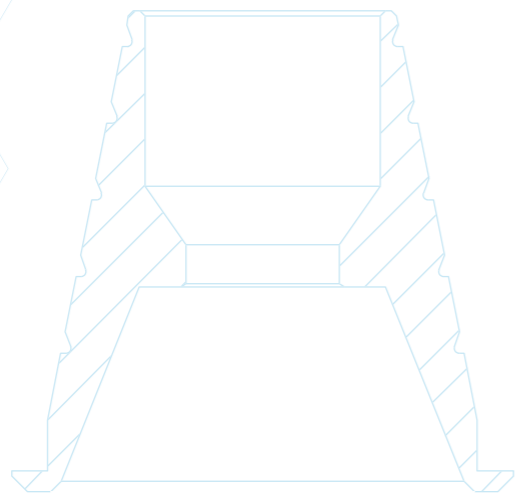


| MATERIAL | PLATFORM Φ4,8 |
|--------------------|------------------|
| Titanium/Peek | MU.SF |
| Screw Reference | MU.100 |
| Recommended Torque | By Hand |
| Screwdriver | Hex 1,25 |



TORX CONNECTION

compatible with **BlueSKY & ClassicSKY**





HEALING CAP



GINGIVA HEIGHT

| | |
|--------------------------------|-------------------|
| 3,0mm | 10.35.41 |
| 5,0mm | 10.35.42 |
| Recommended Torque Screwdriver | By Hand SKY Torx® |

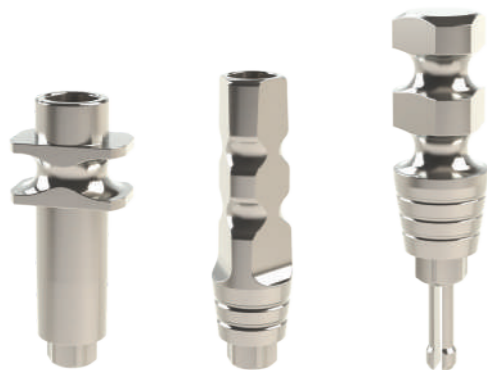
SCAN ABUTMENT



MATERIAL

| | |
|--------------------------------|-------------------|
| Peek | 10.35.SA |
| Titanium/Peek | 10.35.SB |
| Screw Reference | 10.100 |
| Recommended Torque Screwdriver | By Hand SKY Torx® |

IMPRESSION POST



| | |
|--------------------------------|-------------------|
| Open Tray | 10.35.50 |
| Screw Reference | 10.150 |
| Closed Tray | 10.35.55 |
| Screw Reference | 10.155 |
| Press Fit | 10.35.56 |
| Recommended Torque Screwdriver | By Hand SKY Torx® |

TITANIUM TEMPORARY ABUTMENT



| | |
|--------------------------------|-----------------|
| ◻ | 10.35.90 |
| ○ | 10.35.91 |
| Screw Reference | 10.100 |
| Recommended Torque Screwdriver | 25Ncm SKY Torx® |

ANALOG



| | |
|--|---------------------------|
| | 10.40.20 |
| | *For Lab & Digital Models |

OVERDENTURE ABUTMENT



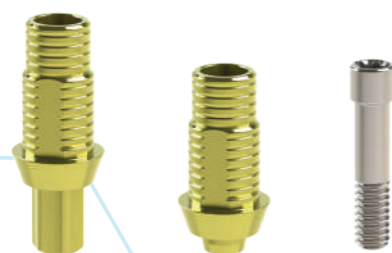
GINGIVA HEIGHT

| | |
|--------------------------------|---------------------|
| 1,0mm | 10.35.81 |
| 2,0mm | 10.35.82 |
| 3,0mm | 10.35.83 |
| 4,0mm | 10.35.84 |
| Recommended Torque Screwdriver | 25Ncm Locator® Tool |



TI-BASE

GINGIVA HEIGHT



| | | |
|--------------------|-------|------------|
| ⬡ | 0,5mm | 10.35.60.1 |
| ⬡ | 1,5mm | 10.35.60.2 |
| ⬡ | 2,5mm | 10.35.60.3 |
| ○ | 0,5mm | 10.35.61.1 |
| ○ | 1,5mm | 10.35.61.2 |
| ○ | 2,5mm | 10.35.61.3 |
| Screw Reference | | 10.100 |
| Recommended Torque | | 25Ncm |
| Screwdriver | | SKY Torx® |

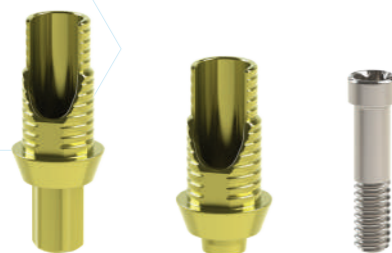
CoCr CASTABLE ABUTMENT



| | | |
|--------------------|----------|-----------|
| ⬡ | 10.35.70 | |
| ○ | 10.35.71 | |
| Screw Reference | | 10.100 |
| Recommended Torque | | 25Ncm |
| Screwdriver | | SKY Torx® |

TI-BASE ANGLED

GINGIVA HEIGHT



| | | |
|--------------------|-------|------------|
| ⬡ | 0,5mm | 10.35.65.1 |
| ⬡ | 1,5mm | 10.35.65.2 |
| ⬡ | 2,5mm | 10.35.65.3 |
| ○ | 0,5mm | 10.35.66.1 |
| ○ | 1,5mm | 10.35.66.2 |
| ○ | 2,5mm | 10.35.66.3 |
| Screw Reference | | 10.165 |
| Recommended Torque | | 25Ncm |
| Screwdriver | | TORX BALL |

CASTABLE ABUTMENT



| | | |
|--------------------|----------|-----------|
| ⬡ | 10.35.30 | |
| ○ | 10.35.31 | |
| Screw Reference | | 10.100 |
| Recommended Torque | | 25Ncm |
| Screwdriver | | SKY Torx® |

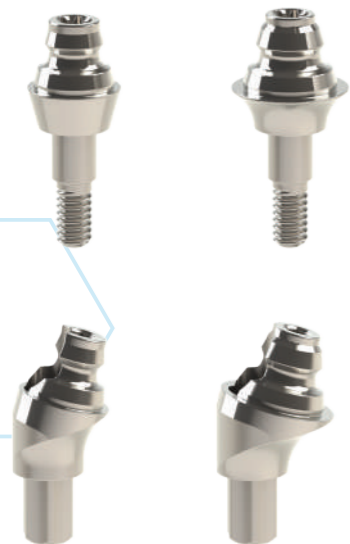


TORX CONNECTION

compatible with **BlueSKY & ClassicSKY**



MULTI-UNIT ABUTMENT



| DEGREES | GINGIVA HEIGHT | PLATFORM Φ4,50 | PLATFORM Φ5,65 |
|--------------------|----------------|-------------------|-------------------|
| 0° | 1,0mm | MU10.45.0.1 | MU10.56.0.1 |
| 0° | 2,0mm | MU10.45.0.2 | MU10.56.0.2 |
| 0° | 3,0mm | MU10.45.0.3 | MU10.56.0.3 |
| 0° | 4,0mm | MU10.45.0.4 | MU10.56.0.4 |
| Screwdriver | | Unigrip Bredent® | |
| 15° | 2,5mm | MU10.45.15.1 | MU10.56.15.1 |
| 15° | 3,5mm | MU10.45.15.2 | MU10.56.15.2 |
| 15° | 4,5mm | MU10.45.15.3 | MU10.56.15.3 |
| 30° | 3,5mm | MU10.45.30.1 | MU10.56.30.1 |
| 30° | 4,5mm | MU10.45.30.2 | MU10.56.30.2 |
| Screw Reference | | 10.100 | |
| Recommended Torque | | 25Ncm | |
| Screwdriver | | SKY Torx® | |

TITANIUM ABUTMENT



R

| DEGREES | GINGIVA HEIGHT | | |
|--------------------|----------------|-------------|------------|
| 0° | 1,5mm | | 10.35.0.1 |
| 0° | 2,5mm | | 10.35.0.2 |
| 0° | 3,5mm | | 10.35.0.3 |
| 17° | 1,5mm | 10.35.17.1R | 10.35.17.1 |
| 17° | 2,5mm | 10.35.17.2R | 10.35.17.2 |
| 17° | 3,5mm | 10.35.17.3R | 10.35.17.3 |
| Screw Reference | | 10.100 | |
| Recommended Torque | | 25Ncm | |
| Screwdriver | | SKY Torx® | |

PREMILL BLANK



| DIAMETER | MATERIAL | |
|--------------------|----------|-----------|
| Ø 12mm | CoCr | 10.35.12C |
| Ø 16mm | CoCr | 10.35.16C |
| Ø 12mm | Titanium | 10.35.12T |
| Ø 16mm | Titanium | 10.35.16T |
| Screw Reference | | 10.100 |
| Recommended Torque | | 25Ncm |
| Screwdriver | | SKY Torx® |

DRAFT

MULTI-UNIT

PROSTHETIC SYSTEM

- Non engaging
- ⊞ Engaging



HEALING CAP



| GINGIVA HEIGHT | PLATFORM Φ4,50 | PLATFORM Φ5,65 |
|--------------------|-------------------|-------------------|
| 2,0mm | MU10.42 | MU10.43 |
| Screw Reference | | MU10.100 |
| Recommended Torque | | By Hand |
| Screwdriver | | SKY Torx® |

ANALOG



| PLATFORM Φ4,50 | PLATFORM Φ5,65 |
|---------------------------|-------------------|
| MU10.20 | MU10.21 |
| *For Lab & Digital Models | |

IMPRESSION POST



| TYPE | PLATFORM Φ4,50 | PLATFORM Φ5,65 |
|--------------------|-------------------|-------------------|
| Open Tray | MU10.51 | MU10.52 |
| Screw Reference | | MU10.150 |
| Closed Tray | MU10.54 | MU10.55 |
| Screw Reference | | MU10.155 |
| Recommended Torque | | By Hand |
| Screwdriver | | SKY Torx® |

TI-BASE



| | PLATFORM Φ4,50 | PLATFORM Φ5,65 |
|--------------------|-------------------|-------------------|
| ○ | MU10.61 | MU10.62 |
| Screw Reference | | MU10.100 |
| Recommended Torque | | 15Ncm |
| Screwdriver | | SKY Torx® |

TITANIUM TEMPORARY ABUTMENT



| | PLATFORM Φ4,50 | PLATFORM Φ5,65 |
|--------------------|-------------------|-------------------|
| ○ | MU10.91 | MU10.92 |
| Screw Reference | | MU10.100 |
| Recommended Torque | | 15Ncm |
| Screwdriver | | SKY Torx® |

SCAN ABUTMENT



| MATERIAL | PLATFORM Φ4,50 | PLATFORM Φ5,65 |
|--------------------|-------------------|-------------------|
| Peek | MU10.45.SA | MU10.56.SA |
| Titanium/Peek | MU10.45.SB | MU10.56.SB |
| Screw Reference | | MU10.100 |
| Recommended Torque | | By Hand |
| Screwdriver | | SKY Torx® |

FULL MOUTH SYSTEM

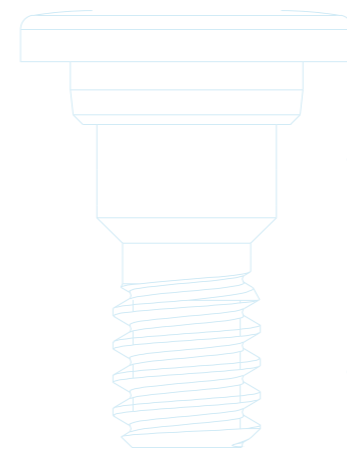
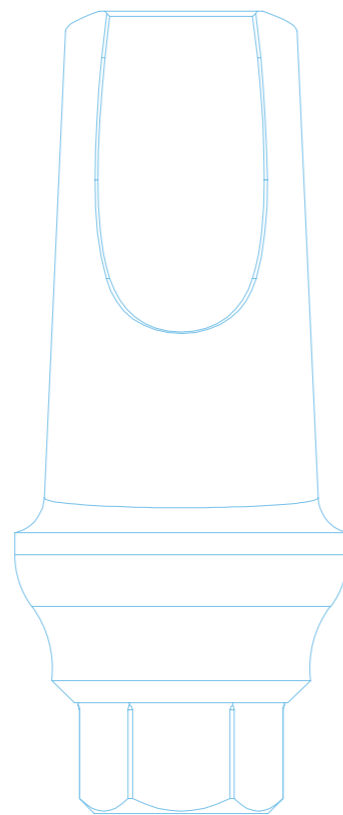
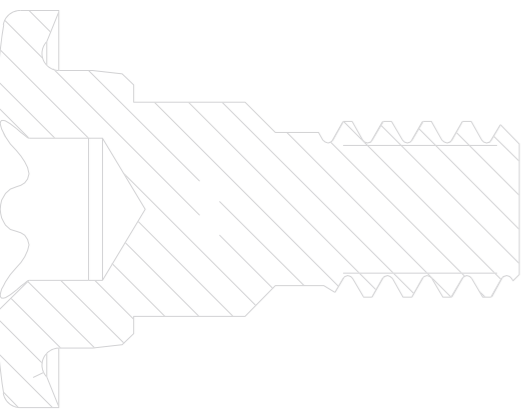
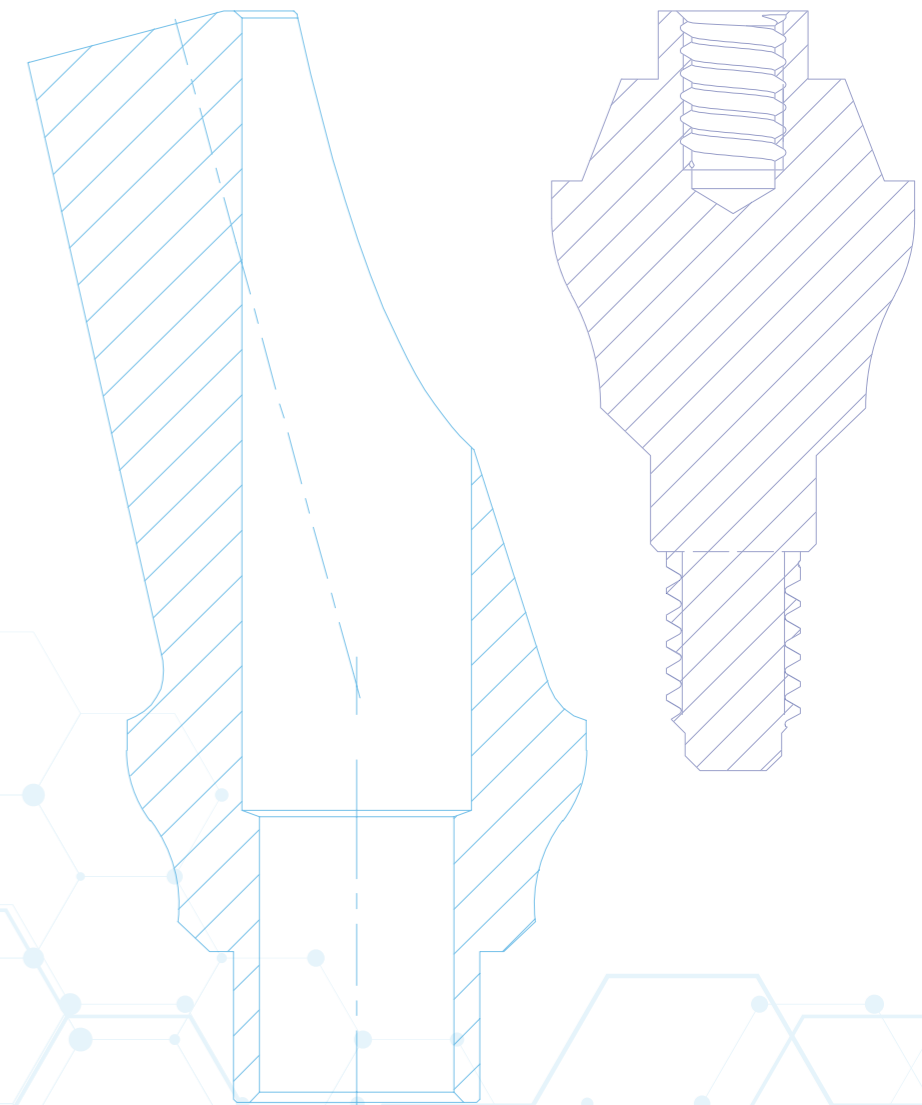
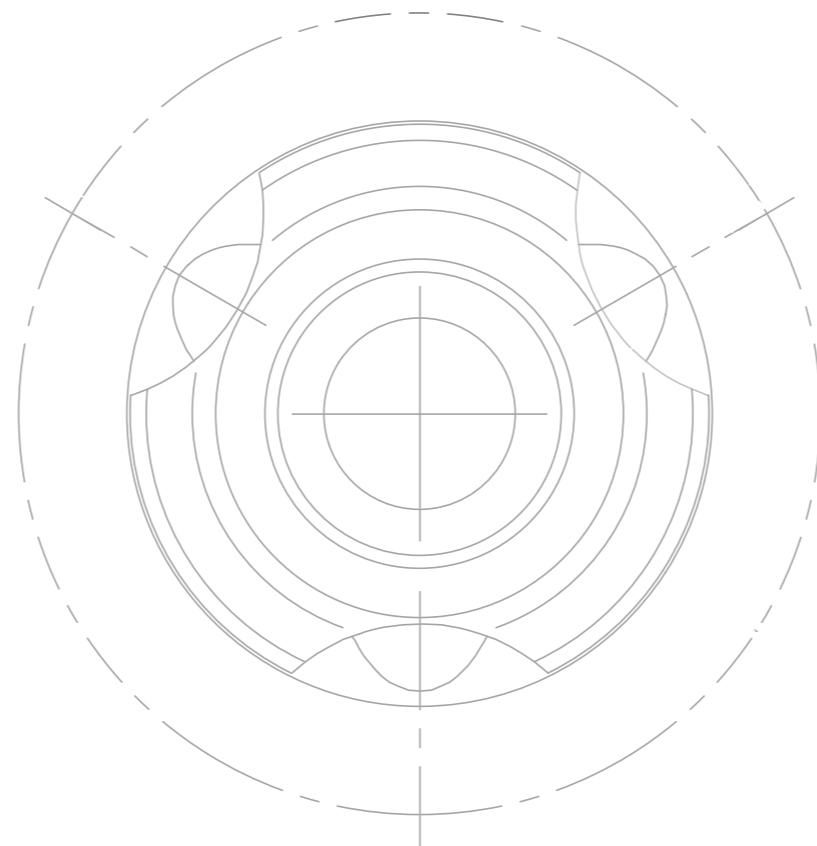
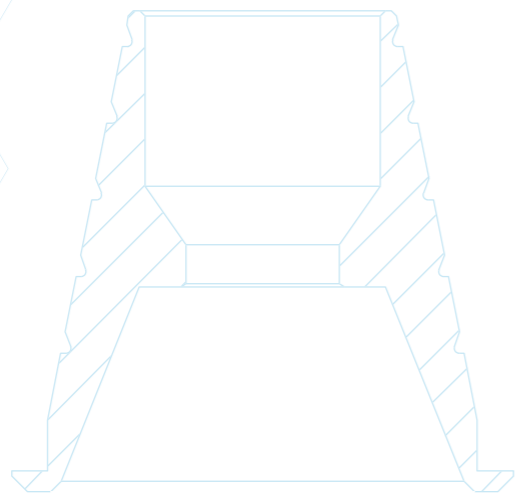


| MATERIAL | PLATFORM Φ4,50 | PLATFORM Φ5,65 |
|--------------------|-------------------|-------------------|
| Titanium/Peek | MU10.45.SF | MU10.56.SF |
| Screw Reference | | MU10.100 |
| Recommended Torque | | By Hand |
| Screwdriver | | SKY Torx® |



CONICAL CONNECTION

compatible with **Dentium Superline™** & **Implantium®**



CONICAL CONNECTION

compatible with Dentium Superline™ & Implantium®

- Non engaging
- ⬡ Engaging

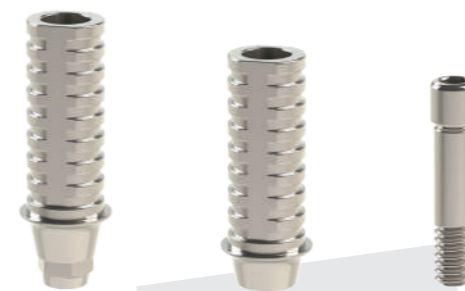


HEALING CAP



| GINGIVA HEIGHT | R |
|--------------------------------|---------------------|
| 2,0mm | 11.45.41 |
| 3,5mm | 11.45.42 |
| 5,0mm | 11.45.43 |
| 7,0mm | 11.45.44 |
| Recommended Torque Screwdriver | By Hand Hex 1,25 |

TITANIUM TEMPORARY ABUTMENT



| | R |
|--------------------------------|-------------------|
| ⬡ | 11.45.90 |
| ○ | 11.45.91 |
| Screw Reference | 11.100 |
| Recommended Torque Screwdriver | 25Ncm Hex 1,25 |

SCAN ABUTMENT



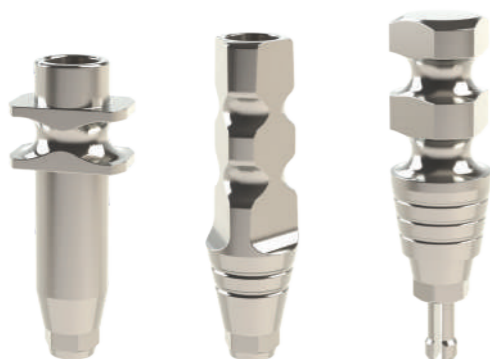
| MATERIAL | R |
|--------------------------------|---------------------|
| PEEK | 11.45.SA |
| Titanium/PEEK | 11.45.SB |
| Screw Reference | 11.100 |
| Recommended Torque Screwdriver | By Hand Hex 1,25 |

ANALOG



| | R |
|--|---------------------------|
| | 11.45.20 |
| | *For Lab & Digital Models |

IMPRESSION POST



| TYPE | R |
|--------------------------------|---------------------|
| Open Tray | 11.45.50 |
| Screw Reference | 11.150 |
| Closed Tray | 11.45.55 |
| Screw Reference | 11.155 |
| Press Fit | 11.45.56 |
| Recommended Torque Screwdriver | By Hand Hex 1,25 |

OVERDENTURE ABUTMENT



| GINGIVA HEIGHT | R |
|--------------------------------|------------------------|
| 1,0mm | 11.45.81 |
| 2,0mm | 11.45.82 |
| 3,0mm | 11.45.83 |
| 4,0mm | 11.45.84 |
| Recommended Torque Screwdriver | 25Ncm Locator® Tool |

CONICAL CONNECTION

compatible with Dentium Superline™ & Implantium®

- Non engaging
- ⬡ Engaging



TI-BASE



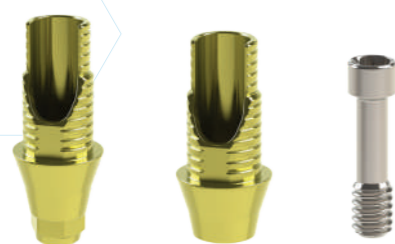
| | GINGIVA HEIGHT | R |
|--------------------|----------------|------------|
| ⬡ | 1,0mm | 11.45.60.1 |
| ⬡ | 2,0mm | 11.45.60.2 |
| ⬡ | 3,0mm | 11.45.60.3 |
| ○ | 1,0mm | 11.45.61.1 |
| ○ | 2,0mm | 11.45.61.2 |
| ○ | 3,0mm | 11.45.61.3 |
| Screw Reference | | 11.100 |
| Recommended Torque | | 25Ncm |
| Screwdriver | | Hex 1,25 |

CoCr CASTABLE ABUTMENT



| | R |
|--------------------|----------|
| ⬡ | 11.45.70 |
| ○ | 11.45.71 |
| Screw Reference | |
| Recommended Torque | |
| Screwdriver | |
| | 11.100 |
| | 25Ncm |
| | Hex 1,25 |

TI-BASE ANGLED



| | GINGIVA HEIGHT | R |
|--------------------|----------------|------------|
| ⬡ | 1,0mm | 11.45.65.1 |
| ⬡ | 2,0mm | 11.45.65.2 |
| ⬡ | 3,0mm | 11.45.65.3 |
| ○ | 1,0mm | 11.45.66.1 |
| ○ | 2,0mm | 11.45.66.2 |
| ○ | 3,0mm | 11.45.66.3 |
| Screw Reference | | 11.165 |
| Recommended Torque | | 25Ncm |
| Screwdriver | | Torx Ball |

CASTABLE ABUTMENT



| | R |
|--------------------|----------|
| ⬡ | 11.45.30 |
| ○ | 11.45.31 |
| Screw Reference | |
| Recommended Torque | |
| Screwdriver | |
| | 11.100 |
| | 25Ncm |
| | Hex 1,25 |

CONICAL CONNECTION

compatible with Dentium Superline™ & Implantium®

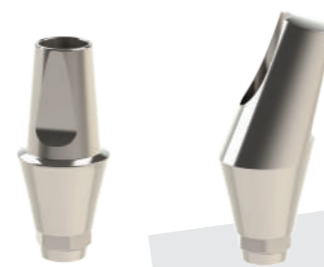


MULTI-UNIT ABUTMENT



| DEGREES | GINGIVA HEIGHT | R |
|--------------------|----------------|-------------------------|
| 0° | 1,0mm | MU11.45.0.1 |
| 0° | 2,0mm | MU11.45.0.2 |
| 0° | 3,0mm | MU11.45.0.3 |
| 0° | 4,0mm | MU11.45.0.4 |
| Screwdriver | | Multi Unit Tool DENTIUM |
| 15° | 2,5mm | MU11.45.15.1 |
| 15° | 3,5mm | MU11.45.15.2 |
| 30° | 3,5mm | MU11.45.30.1 |
| 30° | 4,5mm | MU11.45.30.2 |
| Screw Reference | | MUA11.100 |
| Recommended Torque | | 25Ncm |
| Screwdriver | | Hex 1,25 |

TITANIUM ABUTMENT



| DEGREES | GINGIVA HEIGHT | R |
|--------------------|----------------|------------|
| 0° | 1,5mm | 11.45.0.1 |
| 0° | 2,5mm | 11.45.0.2 |
| 0° | 3,5mm | 11.45.0.3 |
| Screw Reference | | 11.100 |
| 15° | 1,5mm | 11.45.15.1 |
| 15° | 2,5mm | 11.45.15.2 |
| 15° | 3,5mm | 11.45.15.3 |
| 25° | 2,0mm | 11.45.25.1 |
| 25° | 3,0mm | 11.45.25.2 |
| 25° | 4,0mm | 11.45.25.3 |
| Screw Reference | | 11.100 |
| Recommended Torque | | 25Ncm |
| Screwdriver | | Hex 1,25 |

PREMILL BLANK



| DIAMETER | MATERIAL | R |
|--------------------|----------|-----------|
| Ø 12mm | CoCr | 11.45.12C |
| Ø 16mm | CoCr | 11.45.16C |
| Ø 12mm | Titanium | 11.45.12T |
| Ø 16mm | Titanium | 11.45.16T |
| Screw Reference | | 11.100 |
| Recommended Torque | | 25Ncm |
| Screwdriver | | Hex 1,25 |

DRAFT

MULTI-UNIT PROSTHETIC SYSTEM

- Non engaging
- ◻ Engaging



HEALING CAP



| GINGIVA HEIGHT | PLATFORM Φ4,5 |
|--------------------|------------------|
| 2,0mm | MU11.42 |
| Screw Reference | MU11.100 |
| Recommended Torque | By Hand |
| Screwdriver | Hex 1,25 |

ANALOG



PLATFORM Φ4,5

MU11.20

*For Lab & Digital Models

IMPRESSION POST



PLATFORM Φ4,5

| TYPE | PLATFORM Φ4,5 |
|--------------------|------------------|
| Open Tray | MU11.51 |
| Screw Reference | MU11.150 |
| Closed Tray | MU11.55 |
| Screw Reference | MU11.155 |
| Recommended Torque | By Hand |
| Screwdriver | Hex 1,25 |

TI-BASE



| PLATFORM Φ4,5 | PLATFORM Φ4,5 |
|--------------------|------------------|
| ◻ | MU11.60 |
| ○ | MU11.61 |
| Screw Reference | MU11.100 |
| Recommended Torque | 20Ncm |
| Screwdriver | Hex 1,25 |

TITANIUM TEMPORARY ABUTMENT



| GINGIVA HEIGHT | PLATFORM Φ4,5 |
|--------------------|------------------|
| 1,5mm | MU11.91 |
| 0,2mm | MU11.92 |
| Screw Reference | MU11.100 |
| Recommended Torque | 20Ncm |
| Screwdriver | Hex 1,25 |

SCAN ABUTMENT



| MATERIAL | PLATFORM Φ4,5 |
|--------------------|------------------|
| Peek | MU11.SA |
| Titanium/Peek | MU11.SB |
| Screw Reference | MU11.100 |
| Recommended Torque | By Hand |
| Screwdriver | Hex 1,25 |

FULL MOUTH SYSTEM

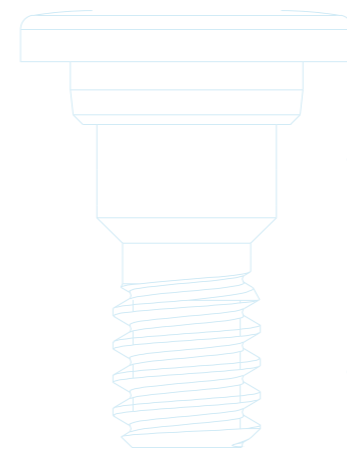
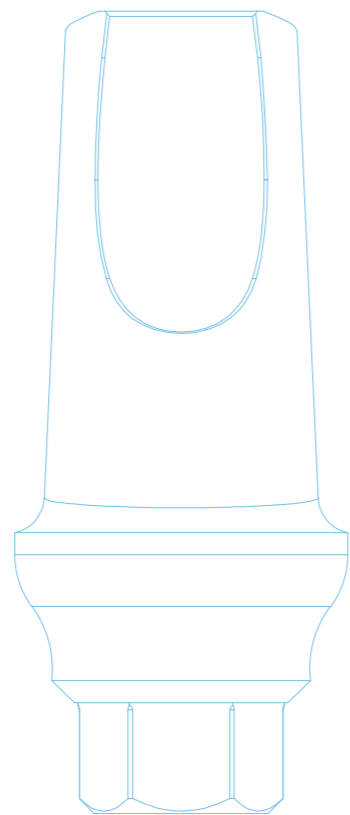
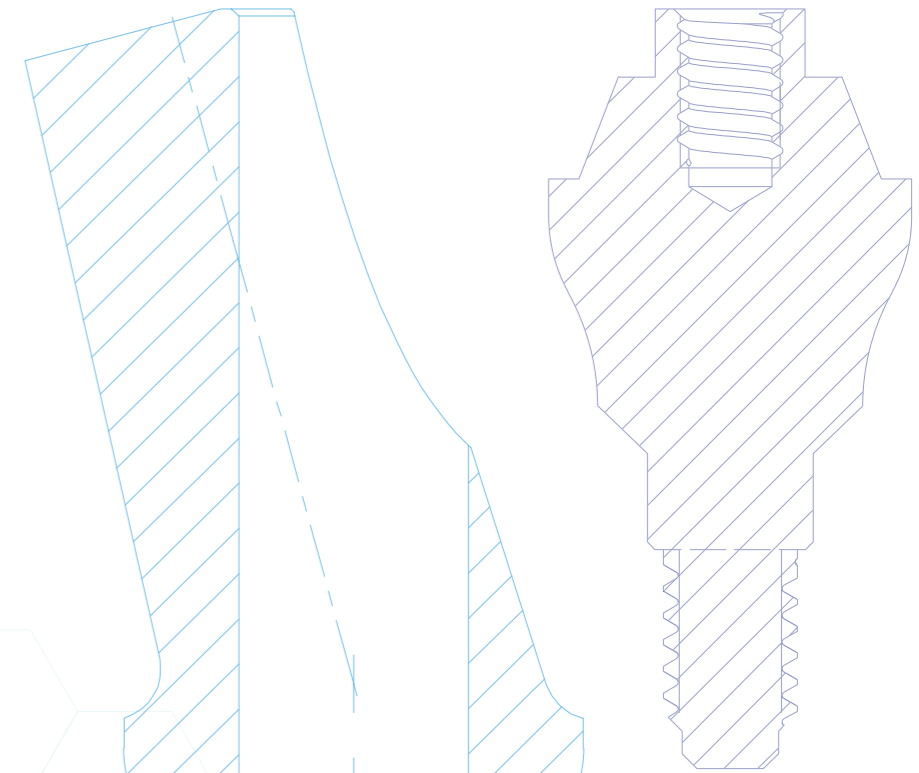
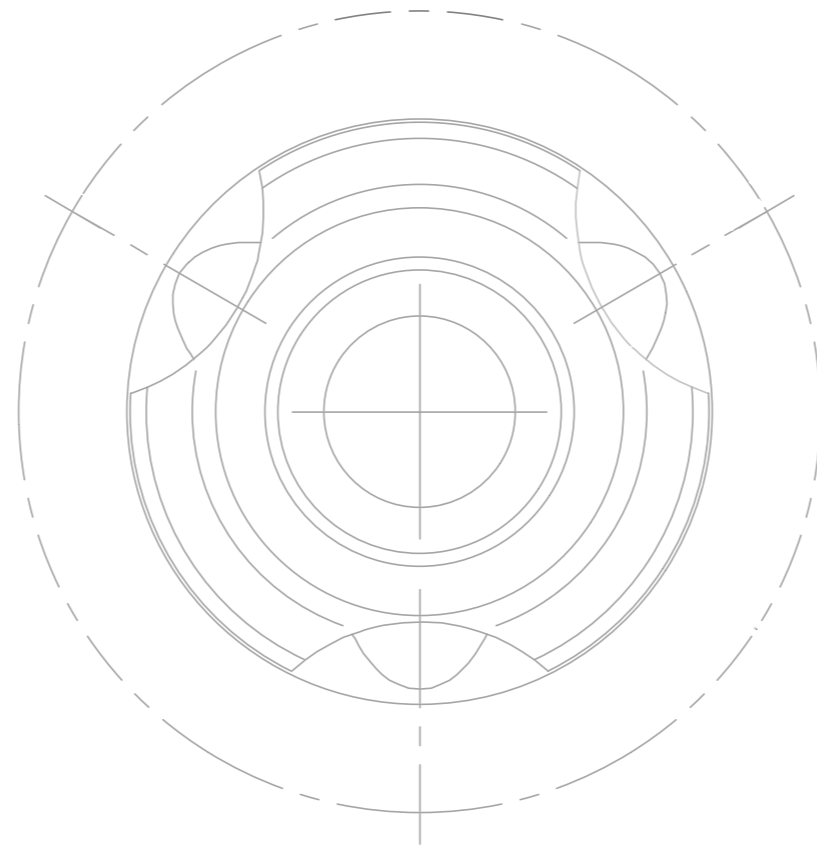
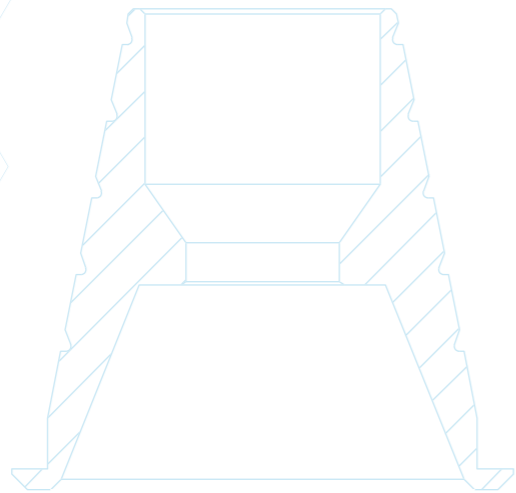


| MATERIAL | PLATFORM Φ4,5 |
|--------------------|------------------|
| Titanium/Peek | MU11.SF |
| Screw Reference | MU11.100 |
| Recommended Torque | By Hand |
| Screwdriver | Hex 1,25 |



CONICAL CONNECTION

compatible with **Megagen AnyRidge®**





CONICAL CONNECTION

compatible with Megagen AnyRidge®

- Non engaging
- ⬡ Engaging



HEALING CAP



| GINGIVA HEIGHT | DIAMETER Ø 4,5 |
|-----------------------------------|---------------------|
| 3,0mm | 12.50.41 |
| 4,0mm | 12.50.42 |
| 5,0mm | 12.50.43 |
| Recommended Torque Screwdriver | By Hand Hex 1,20 |

SCAN ABUTMENT



| MATERIAL | |
|--|-------------------------------|
| Peek | 12.50.SA |
| Titanium/Peek | 12.50.SB |
| Screw Reference Recommended Torque Screwdriver | 12.100 By Hand Hex 1,20 |

IMPRESSION POST



| TYPE | |
|--|-------------------------------|
| Open Tray | 12.50.50 |
| Screw Reference Recommended Torque Screwdriver | 12.150 By Hand Hex 1,20 |

TITANIUM TEMPORARY ABUTMENT



| | |
|--|-------------------------------|
| ⬡ | 12.50.90 |
| ○ | 12.50.91 |
| Screw Reference Recommended Torque Screwdriver | 12.100 By Hand Hex 1,20 |

ANALOG



12.50.20

*For Lab & Digital Models

OVERDENTURE ABUTMENT



| GINGIVA HEIGHT | |
|-----------------------------------|------------------------|
| 1,0mm | 12.50.81 |
| 2,0mm | 12.50.82 |
| 3,0mm | 12.50.83 |
| 4,0mm | 12.50.84 |
| Recommended Torque Screwdriver | 25Ncm Locator® Tool |



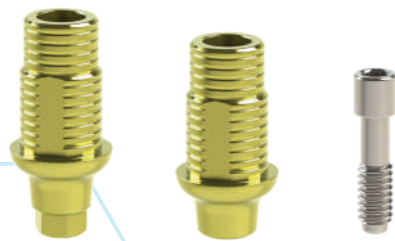
CONICAL CONNECTION

compatible with Megagen AnyRidge®

- Non engaging
- ⬡ Engaging



TI-BASE



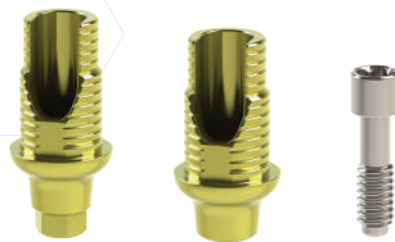
| | GINGIVA HEIGHT | |
|--------------------|----------------|------------|
| ⬡ | 1,0mm | 12.50.60.1 |
| ⬡ | 2,0mm | 12.50.60.2 |
| ○ | 1,0mm | 12.50.61.1 |
| ○ | 2,0mm | 12.50.61.2 |
| Screw Reference | | 12.100 |
| Recommended Torque | | 25Ncm |
| Screwdriver | | Hex 1,20 |

TITANIUM ABUTMENT



| | DEGREES | GINGIVA HEIGHT | |
|--------------------|---------|----------------|------------|
| | 0° | 2,0mm | 12.50.0.1 |
| | 0° | 3,0mm | 12.50.0.2 |
| | 0° | 4,0mm | 12.50.0.3 |
| | 17° | 2,0mm | 12.50.17.1 |
| | 17° | 3,0mm | 12.50.17.2 |
| | 17° | 4,0mm | 12.50.17.3 |
| | 23° | 2,0mm | 12.50.23.1 |
| | 23° | 3,0mm | 12.50.23.2 |
| | 23° | 4,0mm | 12.50.23.3 |
| Screw Reference | | | 12.100 |
| Recommended Torque | | | 25Ncm |
| Screwdriver | | | Hex 1,20 |

TI-BASE ANGLED



| | GINGIVA HEIGHT | |
|--------------------|----------------|------------|
| ⬡ | 1,0mm | 12.50.65.1 |
| ⬡ | 2,0mm | 12.50.65.2 |
| ⬡ | 3,0mm | 12.50.65.3 |
| ○ | 1,0mm | 12.50.66.1 |
| ○ | 2,0mm | 12.50.66.2 |
| ○ | 3,0mm | 12.50.66.3 |
| Screw Reference | | 12.165 |
| Recommended Torque | | 25Ncm |
| Screwdriver | | Hex 1,20 |

PREMILL BLANK

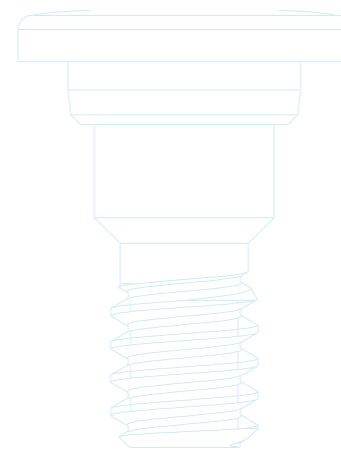
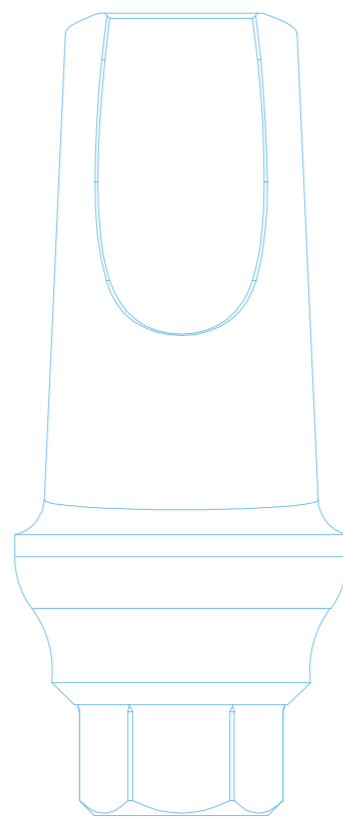
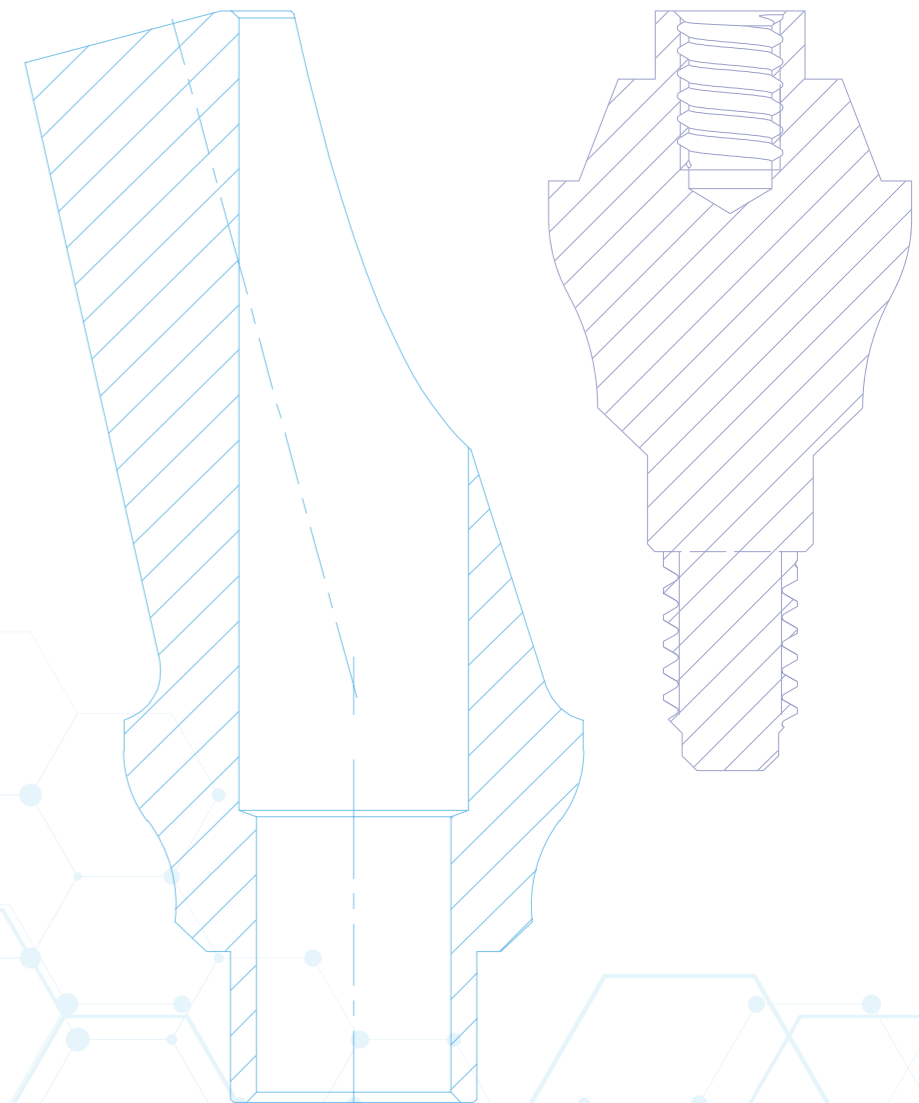
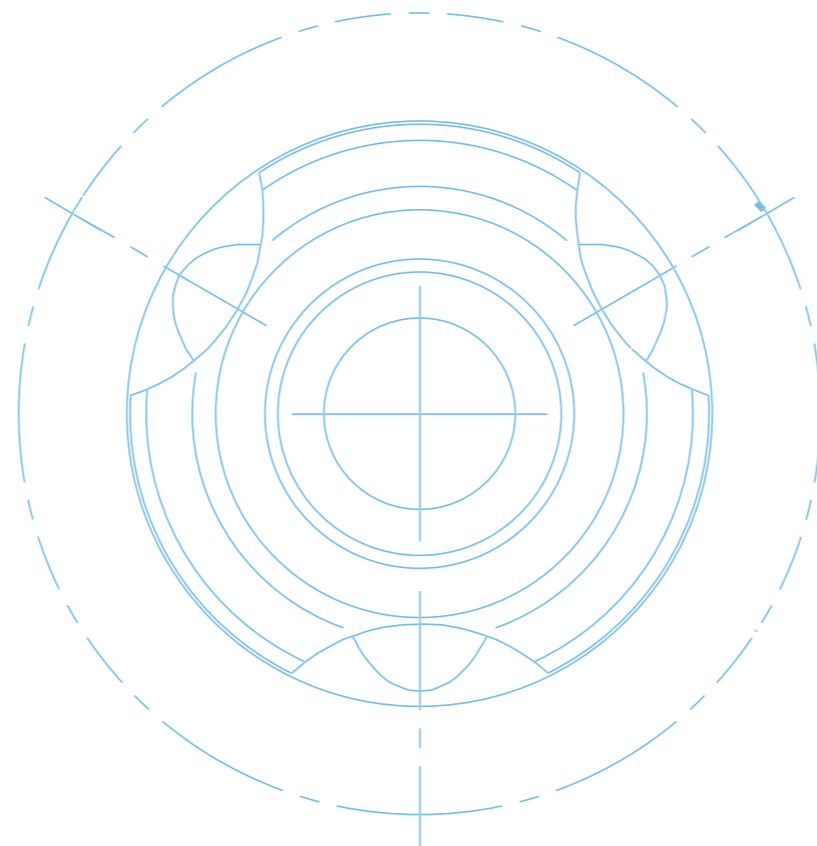
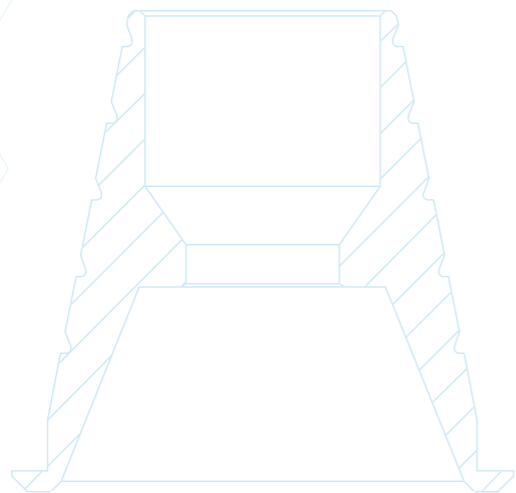


| | DIAMETER | MATERIAL | |
|--------------------|----------|----------|-----------|
| | Ø 12mm | CoCr | 12.50.12C |
| | Ø 16mm | CoCr | 12.50.16C |
| | Ø 12mm | Titanium | 12.50.12T |
| Screw Reference | | | 12.100 |
| Recommended Torque | | | 25Ncm |
| Screwdriver | | | Hex 1,20 |



CONICAL CONNECTION

compatible with **COWELL® Inno Submerged**



CONICAL CONNECTION

compatible with **COWELL® Inno Submerged**

- Non engaging
- ⬡ Engaging

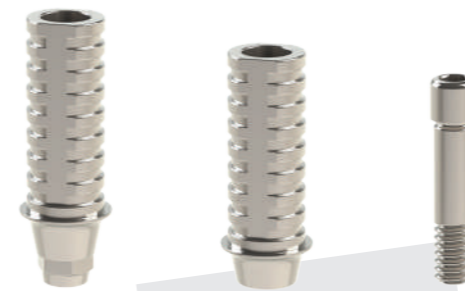


HEALING CAP



| GINGIVA HEIGHT | R |
|--------------------------------|---------------------|
| 2,0mm | 14.45.41 |
| 3,5mm | 14.45.42 |
| 5,0mm | 14.45.43 |
| 7,0mm | 14.45.44 |
| Recommended Torque Screwdriver | By Hand Hex 1,20 |

TITANIUM TEMPORARY ABUTMENT



| | R |
|--------------------------------|-------------------|
| ⬡ | 14.45.90 |
| ○ | 14.45.91 |
| Screw Reference | 14.100 |
| Recommended Torque Screwdriver | 25Ncm Hex 1,20 |

SCAN ABUTMENT



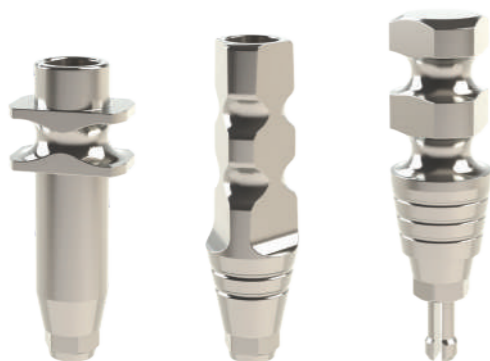
| MATERIAL | R |
|--------------------------------|---------------------|
| Peek | 14.45.SA |
| Titanium/Peek | 14.45.SB |
| Screw Reference | 14.100 |
| Recommended Torque Screwdriver | By Hand Hex 1,20 |

ANALOG



| | R |
|--|---------------------------|
| | 14.45.20 |
| | *For Lab & Digital Models |

IMPRESSION POST



| TYPE | R |
|--------------------------------|---------------------|
| Open Tray | 14.45.50 |
| Screw Reference | 14.150 |
| Closed Tray | 14.45.55 |
| Screw Reference | 14.155 |
| Press Fit | 14.45.56 |
| Recommended Torque Screwdriver | By Hand Hex 1,25 |

OVERDENTURE ABUTMENT



| GINGIVA HEIGHT | R |
|--------------------------------|------------------------|
| 1,0mm | 14.45.81 |
| 2,0mm | 14.45.82 |
| 3,0mm | 14.45.83 |
| 4,0mm | 14.45.84 |
| Recommended Torque Screwdriver | 25Ncm Locator® Tool |

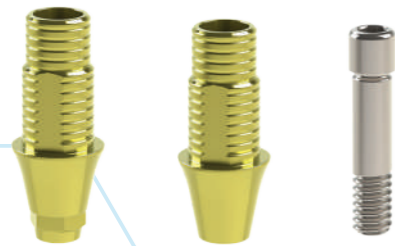
CONICAL CONNECTION

compatible with COWELL® Inno Submerged

- Non engaging
- ⬡ Engaging



TI-BASE



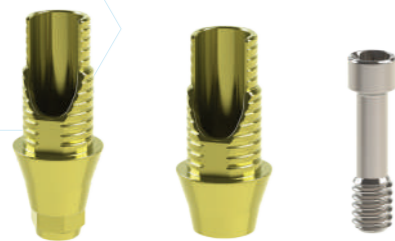
| | GINGIVA HEIGHT | R |
|--------------------|----------------|------------|
| ⬡ | 1,0mm | 14.45.60.1 |
| ⬡ | 2,0mm | 14.45.60.2 |
| ⬡ | 3,0mm | 14.45.60.3 |
| ○ | 1,0mm | 14.45.61.1 |
| ○ | 2,0mm | 14.45.61.2 |
| ○ | 3,0mm | 14.45.61.3 |
| Screw Reference | | 14.100 |
| Recommended Torque | | 25Ncm |
| Screwdriver | | Hex 1,20 |

CoCr CASTABLE ABUTMENT



| | | R |
|--------------------|--|----------|
| ⬡ | | 14.45.70 |
| ○ | | 14.45.71 |
| Screw Reference | | 14.100 |
| Recommended Torque | | 25Ncm |
| Screwdriver | | Hex 1,20 |

TI-BASE ANGLED



| | GINGIVA HEIGHT | R |
|--------------------|----------------|------------|
| ⬡ | 1,0mm | 14.45.65.1 |
| ⬡ | 2,0mm | 14.45.65.2 |
| ⬡ | 3,0mm | 14.45.65.3 |
| ○ | 1,0mm | 14.45.66.1 |
| ○ | 2,0mm | 14.45.66.2 |
| ○ | 3,0mm | 14.45.66.3 |
| Screw Reference | | 14.165 |
| Recommended Torque | | 25Ncm |
| Screwdriver | | Torx Ball |

CASTABLE ABUTMENT



| | | R |
|--------------------|--|----------|
| ⬡ | | 14.45.30 |
| ○ | | 14.45.31 |
| Screw Reference | | 14.100 |
| Recommended Torque | | 25Ncm |
| Screwdriver | | Hex 1,20 |

CONICAL CONNECTION

compatible with COWELL® Inno Submerged



MULTI-UNIT ABUTMENT



| DEGREES | GINGIVA HEIGHT | R |
|--------------------|----------------|------------------------|
| 0° | 1,0mm | MU14.45.0.1 |
| 0° | 2,0mm | MU14.45.0.2 |
| 0° | 3,0mm | MU14.45.0.3 |
| 0° | 4,0mm | MU14.45.0.4 |
| Screwdriver | | Multi Unit Tool COWELL |
| 15° | 1,0mm | MU14.45.15.1 |
| 15° | 2,0mm | MU14.45.15.2 |
| 30° | 1,0mm | MU14.45.30.1 |
| 30° | 2,5mm | MU14.45.30.2 |
| Screw Reference | | MUA14.100 |
| Recommended Torque | | 25Ncm |
| Screwdriver | | Hex 1,20 |

TITANIUM ABUTMENT



| DEGREES | GINGIVA HEIGHT | R |
|--------------------|----------------|------------|
| 0° | 1,5mm | 14.45.0.1 |
| 0° | 2,5mm | 14.45.0.2 |
| 0° | 3,5mm | 14.45.0.3 |
| Screw Reference | | 14.101 |
| 15° | 1,5mm | 14.45.15.1 |
| 15° | 2,5mm | 14.45.15.2 |
| 15° | 3,5mm | 14.45.15.3 |
| 25° | 2,0mm | 14.45.25.1 |
| 25° | 3,0mm | 14.45.25.2 |
| 25° | 4,0mm | 14.45.25.3 |
| Screw Reference | | 14.102 |
| Recommended Torque | | 25Ncm |
| Screwdriver | | Hex 1,25 |

PREMILL BLANK



| DIAMETER | MATERIAL | R |
|--------------------|----------|-----------|
| Ø 12mm | CoCr | 14.45.12C |
| Ø 16mm | CoCr | 14.45.16C |
| Ø 12mm | Titanium | 14.45.12T |
| Ø 16mm | Titanium | 14.45.16T |
| Screw Reference | | 14.100 |
| Recommended Torque | | 25Ncm |
| Screwdriver | | Hex 1,20 |

DRAFT

MULTI-UNIT PROSTHETIC SYSTEM

- Non engaging
- ◻ Engaging



HEALING CAP



| GINGIVA HEIGHT | PLATFORM $\Phi 4,5$ |
|--------------------|---------------------|
| 2,0mm | MU14.42 |
| Screw Reference | MU14.100 |
| Recommended Torque | By Hand |
| Screwdriver | Hex 1,20 |

ANALOG



| PLATFORM $\Phi 4,5$ |
|---------------------------|
| MU14.20 |
| *For Lab & Digital Models |

IMPRESSION POST



| TYPE | PLATFORM $\Phi 4,5$ |
|--------------------|---------------------|
| Open Tray | MU14.51 |
| Screw Reference | MU14.150 |
| Closed Tray | MU14.55 |
| Screw Reference | MU14.155 |
| Recommended Torque | By Hand |
| Screwdriver | Hex 1,20 |

TI-BASE



| PLATFORM $\Phi 4,5$ | |
|---------------------|----------|
| MU14.60 | |
| MU14.61 | |
| Screw Reference | MU14.100 |
| Recommended Torque | 20Ncm |
| Screwdriver | Hex 1,20 |

TITANIUM TEMPORARY ABUTMENT



| GINGIVA HEIGHT | PLATFORM $\Phi 4,5$ |
|--------------------|---------------------|
| 1,5mm | MU14.91 |
| 0,2mm | MU14.92 |
| Screw Reference | MU14.100 |
| Recommended Torque | 20Ncm |
| Screwdriver | Hex 1,20 |

SCAN ABUTMENT



| MATERIAL | PLATFORM $\Phi 4,5$ |
|--------------------|---------------------|
| Peek | MU14.SA |
| Titanium/Peek | MU14.SB |
| Screw Reference | MU14.100 |
| Recommended Torque | By Hand |
| Screwdriver | Hex 1,20 |

FULL MOUTH SYSTEM

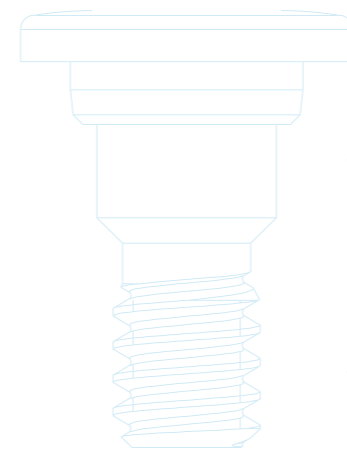
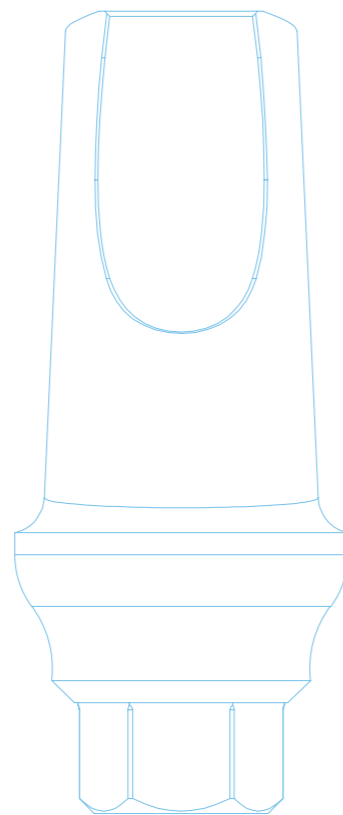
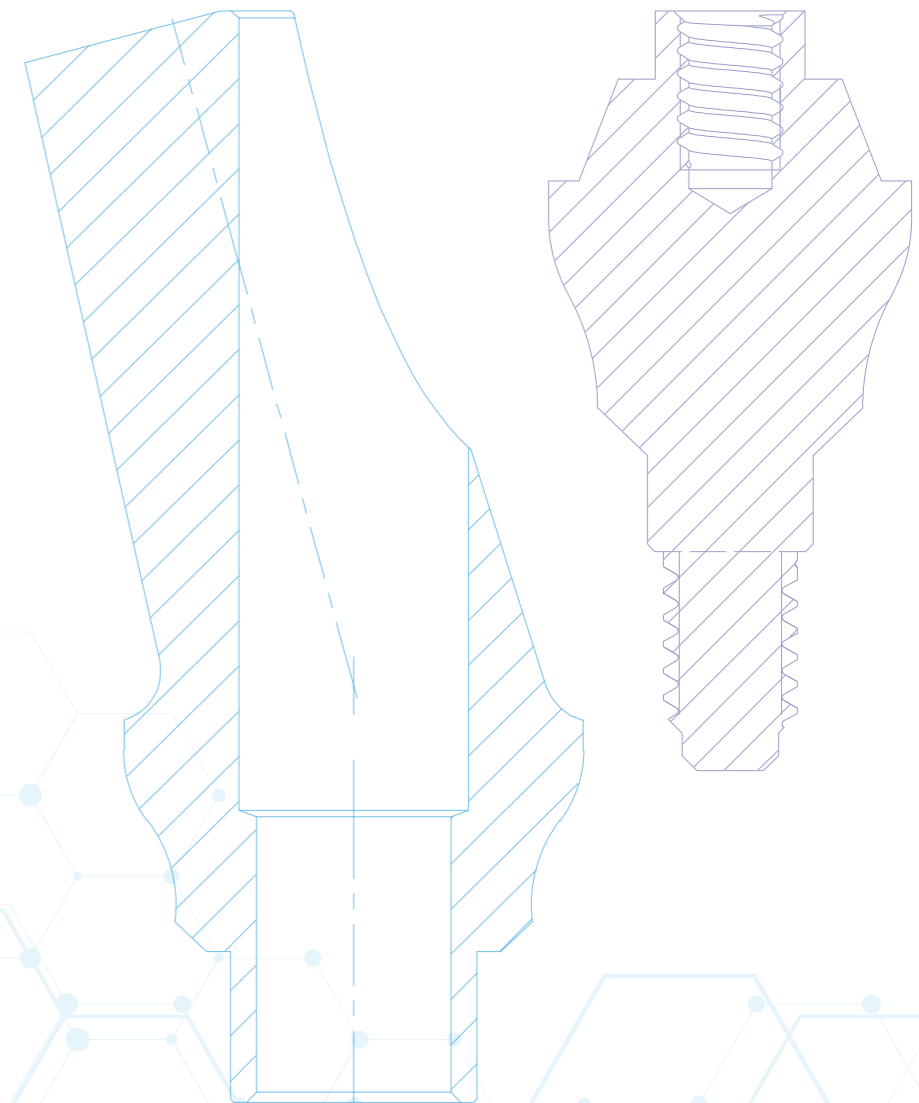
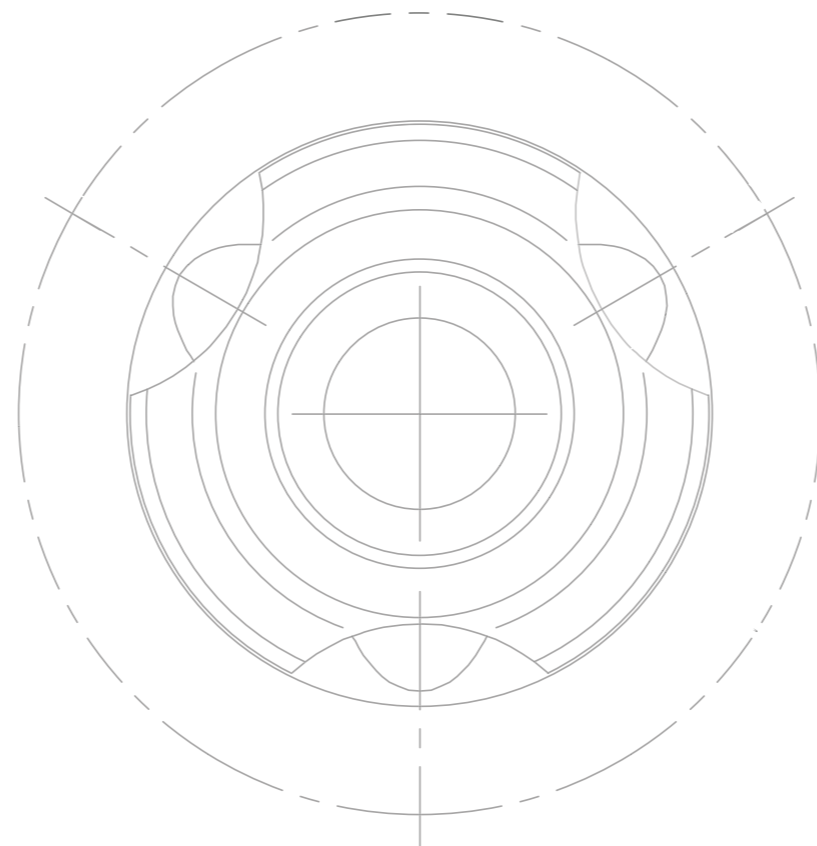
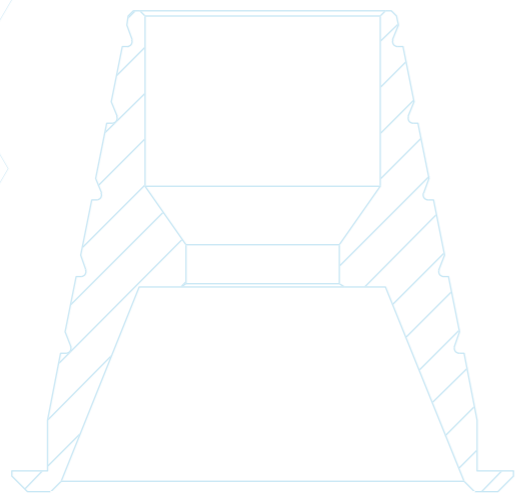


| MATERIAL | PLATFORM $\Phi 4,5$ |
|--------------------|---------------------|
| Titanium/Peek | MU14.SF |
| Screw Reference | MU14.100 |
| Recommended Torque | By Hand |
| Screwdriver | Hex 1,20 |



CONICAL CONNECTION

compatible with **Mis® C1 / V3**



CONICAL CONNECTION

compatible with Mis® C1 / V3

- Non engaging
- ⬡ Engaging



HEALING CAP



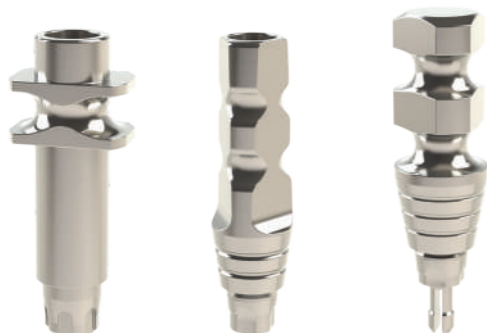
| GINGIVA HEIGHT | C1-NP 3,3 | C1/V3-SP 3,75/4,2 | C1-WP 5,0 |
|--------------------------------|-----------|-------------------|------------------|
| 3,0mm | 17.33.41 | 17.37.41 | 17.45.41 |
| 4,0mm | 17.33.42 | 17.37.42 | 17.45.42 |
| 5,0mm | 17.33.43 | 17.37.43 | 17.45.43 |
| Recommended Torque Screwdriver | | | By Hand Hex 1,25 |

SCAN ABUTMENT



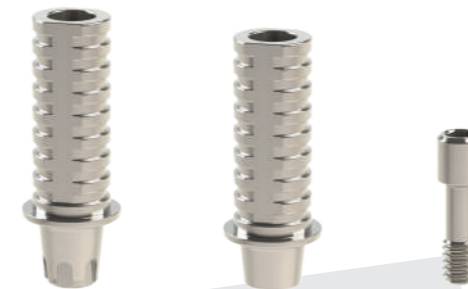
| MATERIAL | C1-NP 3,3 | C1/V3-SP 3,75/4,2 | C1-WP 5,0 |
|--------------------------------|-----------|-------------------|------------------|
| Peek | 17.33.SA | 17.37.SA | 17.45.SA |
| Titanium/Peek | 17.33.SB | 17.37.SB | 17.45.SB |
| Screw Reference | 17.33.100 | | 17.100 |
| Recommended Torque Screwdriver | | | By Hand Hex 1,25 |

IMPRESSION POST



| TYPE | C1-NP 3,3 | C1/V3-SP 3,75/4,2 | C1-WP 5,0 |
|--------------------------------|-----------|-------------------|------------------|
| Open Tray | 17.33.50 | 17.37.50 | 17.45.50 |
| Screw Reference | 17.33.150 | 17.150 | 17.150 |
| Closed Tray | 17.33.55 | 17.37.55 | 17.45.55 |
| Screw Reference | 17.33.155 | 17.155 | 17.155 |
| Press Fit | 17.33.56 | 17.37.56 | 17.45.56 |
| Recommended Torque Screwdriver | | | By Hand Hex 1,25 |

TITANIUM TEMPORARY ABUTMENT



| | C1-NP 3,3 | C1/V3-SP 3,75/4,2 | C1-WP 5,0 |
|--------------------------------|-----------|-------------------|-------------------|
| ⬡ | 17.33.90 | 17.37.90 | 17.45.90 |
| ○ | 17.33.91 | 17.37.91 | 17.45.91 |
| Screw Reference | 17.33.100 | | 17.100 |
| Recommended Torque Screwdriver | | | 20-25Ncm Hex 1,25 |

ANALOG



| | C1-NP 3,3 | C1/V3-SP 3,75/4,2 | C1-WP 5,0 |
|---|-----------|-------------------|-----------|
| ○ | 17.33.20 | 17.37.20 | 17.45.20 |

*For Lab & Digital Models

OVERDENTURE ABUTMENT



| GINGIVA HEIGHT | C1-NP 3,3 | C1/V3-SP 3,75/4,2 | C1-WP 5,0 |
|--------------------------------|-----------|-------------------|---------------------|
| 1,0mm | 17.33.81 | 17.37.81 | 17.45.81 |
| 2,0mm | 17.33.82 | 17.37.82 | 17.45.82 |
| 3,0mm | 17.33.83 | 17.37.83 | 17.45.83 |
| 4,0mm | 17.33.84 | 17.37.84 | 17.45.84 |
| Recommended Torque Screwdriver | | | 30Ncm Locator® Tool |

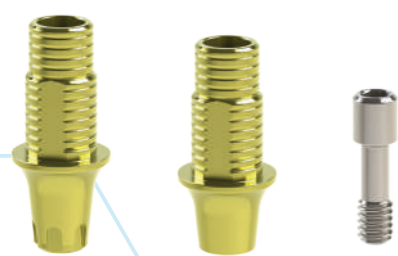
CONICAL CONNECTION

compatible with Mis® C1 / V3

- Non engaging
- ⬡ Engaging



TI-BASE



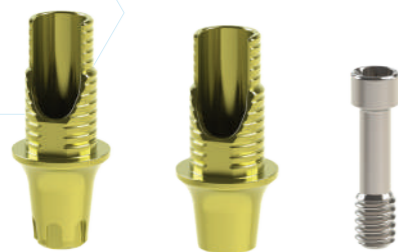
| | GINGIVA HEIGHT | C1-NP 3,3 | C1/V3-SP 3,75/4,2 | C1-WP 5,0 |
|--------------------------------|----------------|------------|-------------------|-------------------|
| ⬡ | 1,0mm | 17.33.60.1 | 17.37.60.1 | 17.45.60.1 |
| ⬡ | 2,0mm | 17.33.60.2 | 17.37.60.2 | 17.45.60.2 |
| ⬡ | 3,0mm | 17.33.60.3 | 17.37.60.3 | 17.45.60.3 |
| ○ | 1,0mm | 17.33.61.1 | 17.37.61.1 | 17.45.61.1 |
| ○ | 2,0mm | 17.33.61.2 | 17.37.61.2 | 17.45.61.2 |
| ○ | 3,0mm | 17.33.61.3 | 17.37.61.3 | 17.45.61.3 |
| Screw Reference | | 17.33.100 | | 17.100 |
| Recommended Torque Screwdriver | | | | 30Ncm Hex 1,25 |

MULTI-UNIT ABUTMENT



| | DEGREES | GINGIVA HEIGHT | C1-NP 3,3 | C1/V3-SP 3,75/4,2 | C1-WP 5,0 |
|--------------------------------|---------|----------------|--------------|---------------------|-------------------|
| ○ | 0° | 1,0mm | MU17.33.0.1 | MU17.37.0.1 | MU17.45.0.1 |
| ○ | 0° | 2,0mm | MU17.33.0.2 | MU17.37.0.2 | MU17.45.0.2 |
| ○ | 0° | 3,0mm | MU17.33.0.3 | MU17.37.0.3 | MU17.45.0.3 |
| ○ | 0° | 4,0mm | MU17.33.0.4 | MU17.37.0.4 | MU17.45.0.4 |
| Screwdriver | | | | Multi Unit Tool MIS | |
| ○ | 17° | 2,5mm | MU17.33.17.1 | MU17.37.17.1 | MU17.45.17.1 |
| ○ | 17° | 3,5mm | MU17.33.17.2 | MU17.37.17.2 | MU17.45.17.2 |
| ○ | 30° | 3,5mm | MU17.33.30.1 | MU17.37.30.1 | MU17.45.30.1 |
| ○ | 30° | 4,5mm | MU17.33.30.2 | MU17.37.30.2 | MU17.45.30.2 |
| Screw Reference | | | | MUA17.101 | MUA17.100 |
| Recommended Torque Screwdriver | | | | | 30Ncm Hex 1,25 |

TI-BASE ANGLED



| | GINGIVA HEIGHT | C1-NP 3,3 | C1/V3-SP 3,75/4,2 | C1-WP 5,0 |
|--------------------------------|----------------|------------|-------------------|--------------------------------|
| ⬡ | 1,0mm | 17.33.65.1 | 17.37.65.1 | 17.45.65.1 |
| ⬡ | 2,0mm | 17.33.65.2 | 17.37.65.2 | 17.45.65.2 |
| ⬡ | 3,0mm | 17.33.65.3 | 17.37.65.3 | 17.45.65.3 |
| ○ | 1,0mm | 17.33.66.1 | 17.37.66.1 | 17.45.66.1 |
| ○ | 2,0mm | 17.33.66.2 | 17.37.66.2 | 17.45.66.2 |
| ○ | 3,0mm | 17.33.66.3 | 17.37.66.3 | 17.45.66.3 |
| Screw Reference | | 17.33.165 | | 17.165 |
| Recommended Torque Screwdriver | | | | 25Ncm Torx Ball Screwdriver |

PREMILL BLANK



| | DIAMETER | MATERIAL | C1-NP 3,3 | C1/V3-SP 3,75/4,2 | C1-WP 5,0 |
|--------------------------------|----------|----------|-----------|-------------------|-------------------|
| ○ | Ø 12mm | CoCr | 17.33.12C | 17.37.12C | 17.45.12C |
| ○ | Ø 16mm | CoCr | | 17.37.16C | 17.45.16C |
| ○ | Ø 12mm | Titanium | 17.33.12T | 17.37.12T | 17.45.12T |
| ○ | Ø 16mm | Titanium | | 17.37.16T | 17.45.16T |
| Screw Reference | | | | 17.33.100 | 17.100 |
| Recommended Torque Screwdriver | | | | | 30Ncm Hex 1,25 |

MULTI-UNIT PROSTHETIC SYSTEM



HEALING CAP



| | PLATFORM Φ4,8 |
|--------------------|------------------|
| CONE | MU06.42 |
| CYLINDER | MU06.43 |
| Screw Reference | MU06.100 |
| Recommended Torque | By Hand |
| Screwdriver | Hex 1,25 |

ANALOG



| | PLATFORM Φ4,8 |
|--|---------------------------|
| | MU06.20 |
| | *For Lab & Digital Models |

IMPRESSION POST



| TYPE | PLATFORM Φ4,8 |
|--------------------|------------------|
| Open Tray | MU06.51 |
| Screw Reference | MU06.150 |
| Closed Tray | MU06.55 |
| Screw Reference | MU06.155 |
| Recommended Torque | By Hand |
| Screwdriver | Hex 1,25 |

TI-BASE



| | GINGIVA HEIGHT | PLATFORM Φ4,8 |
|--------------------|-------------------|------------------|
| | 0,2mm | MU06.61 |
| Screw Reference | | MU06.100 |
| Recommended Torque | | 20Ncm |
| Screwdriver | | Hex 1,25 |

TITANIUM TEMPORARY ABUTMENT



| | GINGIVA HEIGHT | PLATFORM Φ4,8 |
|--------------------|-------------------|------------------|
| | 1,5mm | MU06.91 |
| | 0,2mm | MU06.92 |
| Screw Reference | | MU06.100 |
| Recommended Torque | | 20Ncm |
| Screwdriver | | Hex 1,25 |

SCAN ABUTMENT



| | MATERIAL | PLATFORM Φ4,8 |
|--------------------|---------------|------------------|
| | Peek | MU06.SA |
| | Titanium/Peek | MU06.SB |
| Screw Reference | | MU06.100 |
| Recommended Torque | | By Hand |
| Screwdriver | | Hex 1,25 |

FULL MOUTH SYSTEM

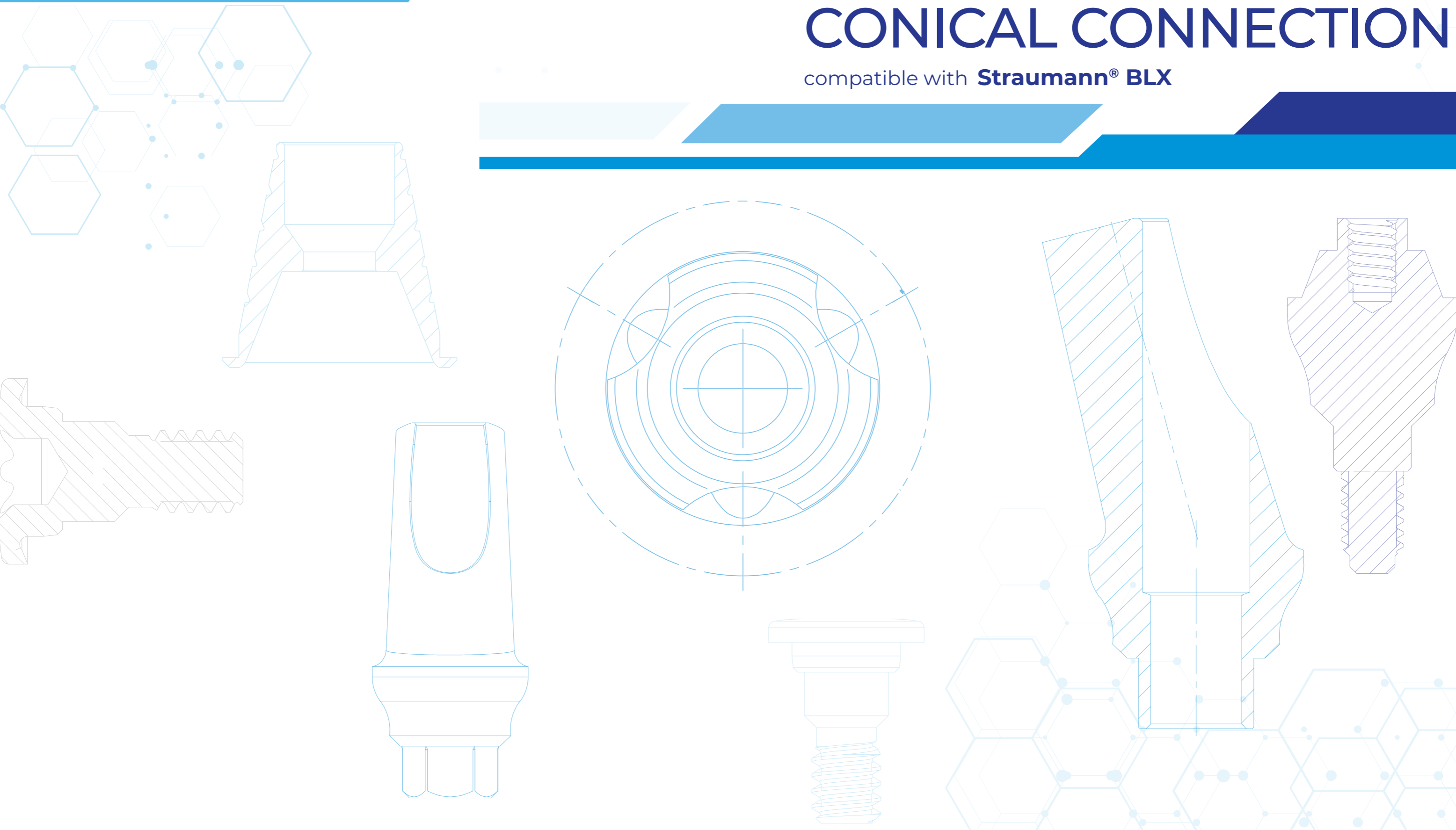


| | MATERIAL | PLATFORM Φ4,8 |
|--------------------|---------------|------------------|
| | Titanium/Peek | MU06.SF |
| Screw Reference | | MU06.100 |
| Recommended Torque | | By Hand |
| Screwdriver | | Hex 1,25 |



CONICAL CONNECTION



compatible with **Straumann® BLX**





CONICAL CONNECTION

compatible with **Straumann® BLX**

-  Non engaging
-  Engaging



COVER SCREW



| | RB | WB |
|-----------------------------------|----|-----------------|
| 18.35.40 | | |
| Recommended Torque Screwdriver | | By Hand Torx |

HEALING CAP



| GINGIVA HEIGHT | RB | WB |
|-----------------------------------|----------|-----------------|
| 3,0mm | 18.35.41 | |
| 5,0mm | 18.35.42 | |
| Recommended Torque Screwdriver | | By Hand Torx |

SCAN ABUTMENT



| MATERIAL | RB | WB |
|-----------------------------------|----------|-----------------|
| Peek | 18.35.SA | |
| Titanium/Peek | 18.35.SB | |
| Screw Reference | 18.100 | |
| Recommended Torque Screwdriver | | By Hand Torx |



IMPRESSION POST



| TYPE | RB | WB |
|-----------------------------------|----------|-----------------|
| Open Tray | 18.35.50 | |
| Screw Reference | 18.150 | |
| Closed Tray | 18.35.55 | |
| Screw Reference | 18.155 | |
| Press Fit | 18.35.56 | |
| Recommended Torque Screwdriver | | By Hand Torx |

TITANIUM TEMPORARY ABUTMENT



| | RB | WB |
|---|----------|------------------|
|  | 18.35.90 | |
|  | 18.35.91 | |
| Screw Reference | 18.100 | |
| Recommended Torque Screwdriver | | 20-25Ncm Torx |

ANALOG



| | RB | WB |
|----------|----|---------------------------|
| 18.35.20 | | |
| | | *For Lab & Digital Models |



CONICAL CONNECTION

compatible with **Straumann® BLX**

- Non engaging
- ⬡ Engaging



OVERDENTURE ABUTMENT



| GINGIVA HEIGHT | RB | WB |
|--------------------------------|---------------------|----|
| 1,0mm | 18.35.81 | |
| 2,0mm | 18.35.82 | |
| 3,0mm | 18.35.83 | |
| 4,0mm | 18.35.84 | |
| Recommended Torque Screwdriver | 35Ncm Locator® Tool | |

MULTI-UNIT ABUTMENT



| DEGREES | GINGIVA HEIGHT | RB | WB |
|--|----------------|--------------|------------|
| 0° | 1,5mm | MU18.35.0.1 | |
| 0° | 2,5mm | MU18.35.0.2 | |
| 0° | 3,5mm | MU18.35.0.3 | |
| 0° | 4,5mm | MU18.35.0.4 | |
| Screwdriver | | Torx | |
| 17° | 2,5mm | MU18.35.17.1 | |
| 17° | 3,5mm | MU18.35.17.2 | |
| 17° | 4,5mm | MU18.35.17.3 | |
| 30° | 3,5mm | MU18.35.30.1 | |
| 30° | 4,5mm | MU18.35.30.2 | |
| 30° | 5,5mm | MU18.35.30.3 | |
| Screw Reference Recommended Torque Screwdriver | | MUA18.100 | 30Ncm Torx |

TI-BASE



| GINGIVA HEIGHT | RB | WB |
|--------------------------------|------------|----|
| ⬡ 1,0mm | 18.35.60.1 | |
| ⬡ 2,0mm | 18.35.60.2 | |
| ⬡ 3,0mm | 18.35.60.3 | |
| ○ 1,0mm | 18.35.61.1 | |
| ○ 2,0mm | 18.35.61.2 | |
| ○ 3,0mm | 18.35.61.3 | |
| Screw Reference | 18.100 | |
| Recommended Torque Screwdriver | 35Ncm Torx | |

TI-BASE ANGLED



| GINGIVA HEIGHT | RB | WB |
|--------------------------------|-----------------|----|
| ⬡ 1,0mm | 18.35.65.1 | |
| ⬡ 2,0mm | 18.35.65.2 | |
| ⬡ 3,0mm | 18.35.65.3 | |
| ○ 1,0mm | 18.35.66.1 | |
| ○ 2,0mm | 18.35.66.2 | |
| ○ 3,0mm | 18.35.66.3 | |
| Screw Reference | 18.165 | |
| Recommended Torque Screwdriver | 25Ncm Torx Ball | |

MULTI-UNIT PROSTHETIC SYSTEM



HEALING CAP



| PLATFORM Φ4,6 | |
|--------------------|----------|
| CONE | MU05.42 |
| CYLINDER | MU05.43 |
| Screw Reference | MU05.100 |
| Recommended Torque | By Hand |
| Screwdriver | Torx |

ANALOG



| PLATFORM Φ4,6 | |
|------------------|---------------------------|
| | MU05.20 |
| | *For Lab & Digital Models |

IMPRESSION POST



| PLATFORM Φ4,6 | |
|--------------------|----------|
| Open Tray | MU05.51 |
| Screw Reference | MU05.150 |
| Closed Tray | MU05.55 |
| Screw Reference | MU05.155 |
| Recommended Torque | By Hand |
| Screwdriver | Torx |

TI-BASE



| PLATFORM Φ4,6 | |
|--------------------|----------|
| | MU05.61 |
| Screw Reference | MU05.100 |
| Recommended Torque | 15Ncm |
| Screwdriver | Torx |

TITANIUM TEMPORARY ABUTMENT



| PLATFORM Φ4,6 | |
|--------------------|----------|
| | MU05.91 |
| Screw Reference | MU05.100 |
| Recommended Torque | 15Ncm |
| Screwdriver | Torx |

SCAN ABUTMENT



| PLATFORM Φ4,6 | |
|--------------------|----------|
| Peek | MU05.SA |
| Titanium/Peek | MU05.SB |
| Screw Reference | MU05.100 |
| Recommended Torque | By Hand |
| Screwdriver | Torx |

FULL MOUTH SYSTEM

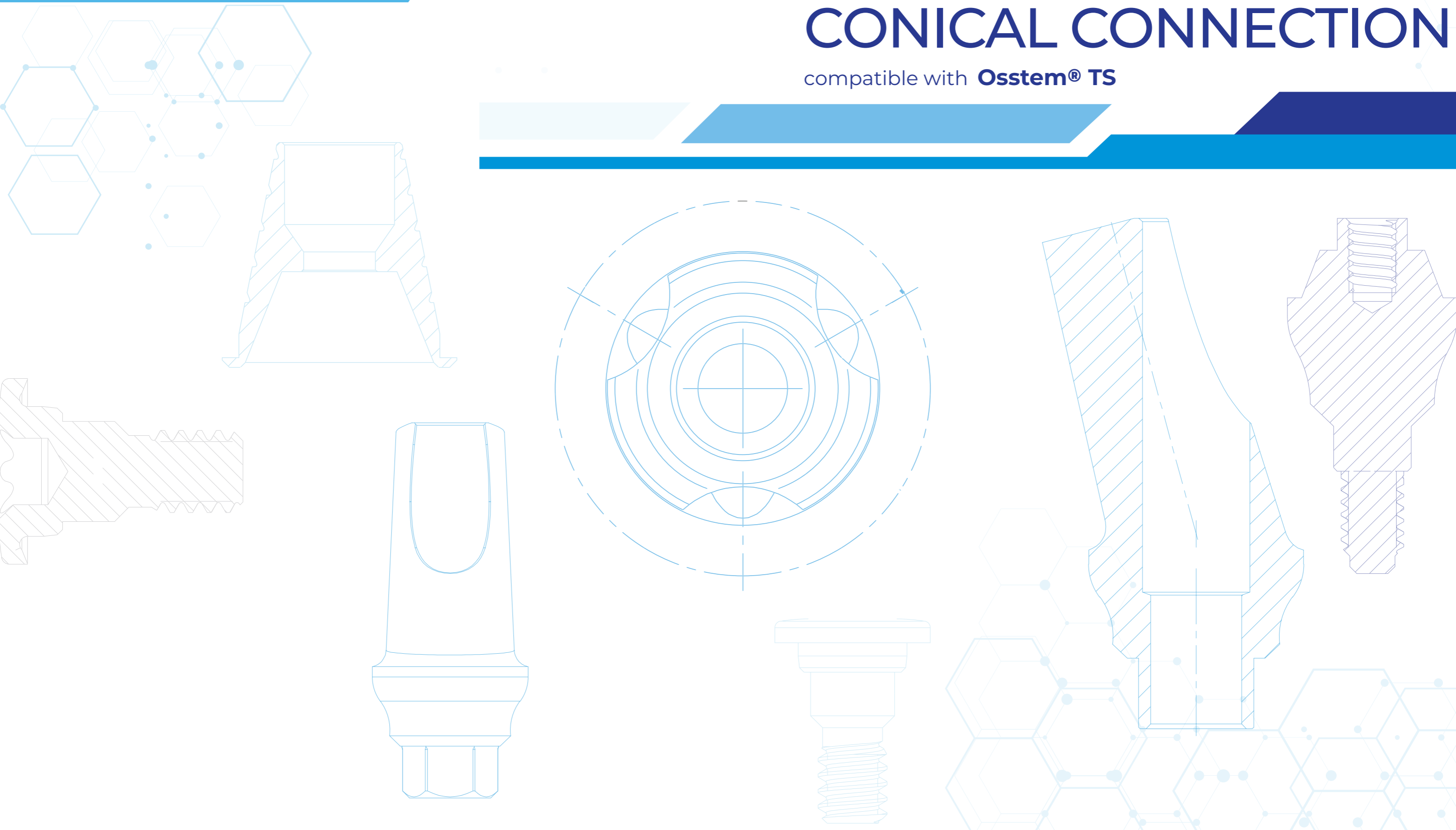


| PLATFORM Φ4,6 | |
|--------------------|----------|
| Titanium/Peek | MU05.SF |
| Screw Reference | MU05.100 |
| Recommended Torque | By Hand |
| Screwdriver | Torx |



CONICAL CONNECTION

compatible with **Osstem® TS**





CONICAL CONNECTION

compatible with **Osstem® TS**

-  Non engaging
-  Engaging



HEALING CAP



GINGIVA HEIGHT



R

| | |
|-----------------------------------|---------------------|
| 2,0mm | 21.45.41 |
| 3,5mm | 21.45.42 |
| 5,0mm | 21.45.43 |
| 7,0mm | 21.45.44 |
| Recommended Torque Screwdriver | By Hand Hex 1,20 |

TITANIUM TEMPORARY ABUTMENT



R

| | |
|---|-------------------|
|  | 21.45.90 |
|  | 21.45.91 |
| Screw Reference | 21.100 |
| Recommended Torque Screwdriver | 25Ncm Hex 1,20 |

SCAN ABUTMENT



MATERIAL

R

| | |
|-----------------------------------|---------------------|
| PEEK | 21.45.SA |
| Titanium/PEEK | 21.45.SB |
| Screw Reference | 21.100 |
| Recommended Torque Screwdriver | By Hand Hex 1,20 |

ANALOG

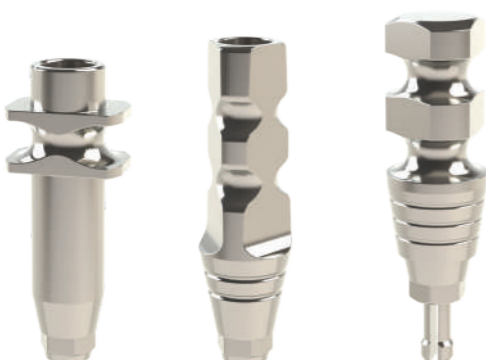


R

21.45.20

*For Lab & Digital Models

IMPRESSION POST



TYPE

R

| | |
|-----------------------------------|---------------------|
| Open Tray | 21.45.50 |
| Screw Reference | 21.150 |
| Closed Tray | 21.45.55 |
| Screw Reference | 21.155 |
| Press Fit | 21.45.56 |
| Recommended Torque Screwdriver | By Hand Hex 1,20 |

OVERDENTURE ABUTMENT



GINGIVA HEIGHT

R

| | |
|-----------------------------------|------------------------|
| 1,0mm | 21.45.81 |
| 2,0mm | 21.45.82 |
| 3,0mm | 21.45.83 |
| 4,0mm | 21.45.84 |
| Recommended Torque Screwdriver | 25Ncm Locator® Tool |

CONICAL CONNECTION

compatible with Osstem® TS

- Non engaging
- ⬡ Engaging



TI-BASE



| | GINGIVA HEIGHT | R |
|--------------------|----------------|------------|
| ⬡ | 1,0mm | 21.45.60.1 |
| ⬡ | 2,0mm | 21.45.60.2 |
| ⬡ | 3,0mm | 21.45.60.3 |
| ○ | 1,0mm | 21.45.61.1 |
| ○ | 2,0mm | 21.45.61.2 |
| ○ | 3,0mm | 21.45.61.3 |
| Screw Reference | | 21.100 |
| Recommended Torque | | 25Ncm |
| Screwdriver | | Hex 1,20 |

CoCr CASTABLE ABUTMENT



| | R | |
|--------------------|----------|----------|
| ⬡ | 21.45.70 | |
| ○ | 21.45.71 | |
| Screw Reference | | 21.100 |
| Recommended Torque | | 25Ncm |
| Screwdriver | | Hex 1,20 |

TI-BASE ANGLED



| | GINGIVA HEIGHT | R |
|--------------------|----------------|------------|
| ⬡ | 1,0mm | 21.45.65.1 |
| ⬡ | 2,0mm | 21.45.65.2 |
| ⬡ | 3,0mm | 21.45.65.3 |
| ○ | 1,0mm | 21.45.66.1 |
| ○ | 2,0mm | 21.45.66.2 |
| ○ | 3,0mm | 21.45.66.3 |
| Screw Reference | | 21.165 |
| Recommended Torque | | 25Ncm |
| Screwdriver | | Torx Ball |

CASTABLE ABUTMENT



| | R | |
|--------------------|----------|----------|
| ⬡ | 21.45.30 | |
| ○ | 21.45.31 | |
| Screw Reference | | 21.100 |
| Recommended Torque | | 25Ncm |
| Screwdriver | | Hex 1,20 |

CONICAL CONNECTION

compatible with **Osstem® TS**

- Non engaging
- ⊕ Engaging



MULTI-UNIT ABUTMENT



| DEGREES | GINGIVA HEIGHT | R |
|--------------------|----------------|------------------------|
| 0° | 1,0mm | MU21.45.0.1 |
| 0° | 2,0mm | MU21.45.0.2 |
| 0° | 3,0mm | MU21.45.0.3 |
| 0° | 4,0mm | MU21.45.0.4 |
| Screwdriver | | Multi Unit Tool OSSTEM |
| 17° | 2,5mm | MU21.45.17.1 |
| 17° | 3,5mm | MU21.45.17.2 |
| 30° | 3,5mm | MU21.45.30.1 |
| 30° | 4,0mm | MU21.45.30.2 |
| Screw Reference | | MUA21.100 |
| Recommended Torque | | 25Ncm |
| Screwdriver | | Hex 1,20 |

TITANIUM ABUTMENT



| DEGREES | GINGIVA HEIGHT | R |
|--------------------|----------------|------------|
| 0° | 1,5mm | 21.45.0.1 |
| 0° | 2,5mm | 21.45.0.2 |
| 0° | 3,5mm | 21.45.0.3 |
| Screw Reference | | 21.101 |
| 15° | 1,5mm | 21.45.15.1 |
| 15° | 2,5mm | 21.45.15.2 |
| 15° | 3,5mm | 21.45.15.3 |
| 25° | 2,0mm | 21.45.25.1 |
| 25° | 3,0mm | 21.45.25.2 |
| 25° | 4,0mm | 21.45.25.3 |
| Screw Reference | | 21.102 |
| Recommended Torque | | 25Ncm |
| Screwdriver | | Hex 1,25 |

PREMILL BLANK



| DIAMETER | MATERIAL | R |
|--------------------|----------|-----------|
| Ø 12mm | CoCr | 21.45.12C |
| Ø 16mm | CoCr | 21.45.16C |
| Ø 12mm | Titanium | 21.45.12T |
| Ø 16mm | Titanium | 21.45.16T |
| Screw Reference | | 21.100 |
| Recommended Torque | | 25Ncm |
| Screwdriver | | Hex 1,20 |

MULTI-UNIT PROSTHETIC SYSTEM



HEALING CAP



| GINGIVA HEIGHT | PLATFORM $\Phi 4,8$ |
|--------------------|---------------------|
| 2,0mm | MU21.42 |
| Screw Reference | MU21.100 |
| Recommended Torque | By Hand |
| Screwdriver | Hex 1,20 |

ANALOG



| PLATFORM $\Phi 4,8$ |
|---------------------------|
| MU21.20 |
| *For Lab & Digital Models |

IMPRESSION POST



| TYPE | PLATFORM $\Phi 4,8$ |
|--------------------|---------------------|
| Open Tray | MU21.51 |
| Screw Reference | MU21.150 |
| Closed Tray | MU21.55 |
| Screw Reference | MU21.155 |
| Recommended Torque | By Hand |
| Screwdriver | Hex 1,20 |

TI-BASE



| GINGIVA HEIGHT | PLATFORM $\Phi 4,8$ |
|--------------------|---------------------|
| 0,2mm | MU21.61 |
| Screw Reference | MU21.100 |
| Recommended Torque | 20Ncm |
| Screwdriver | Hex 1,20 |

TITANIUM TEMPORARY ABUTMENT



| GINGIVA HEIGHT | PLATFORM $\Phi 4,8$ |
|--------------------|---------------------|
| 1,5mm | MU21.91 |
| 0,2mm | MU21.92 |
| Screw Reference | MU21.100 |
| Recommended Torque | 20Ncm |
| Screwdriver | Hex 1,20 |

SCAN ABUTMENT



| MATERIAL | PLATFORM $\Phi 4,8$ |
|--------------------|---------------------|
| Peek | MU21.SA |
| Titanium/Peek | MU21.SB |
| Screw Reference | MU21.100 |
| Recommended Torque | By Hand |
| Screwdriver | Hex 1,20 |

FULL MOUTH SYSTEM

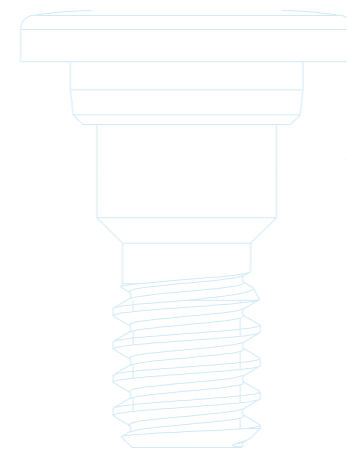
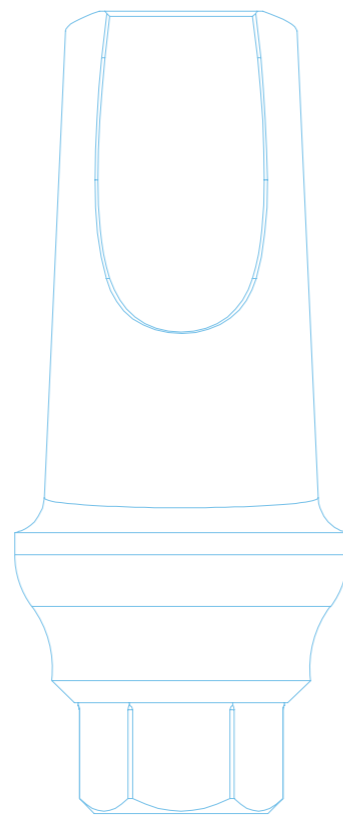
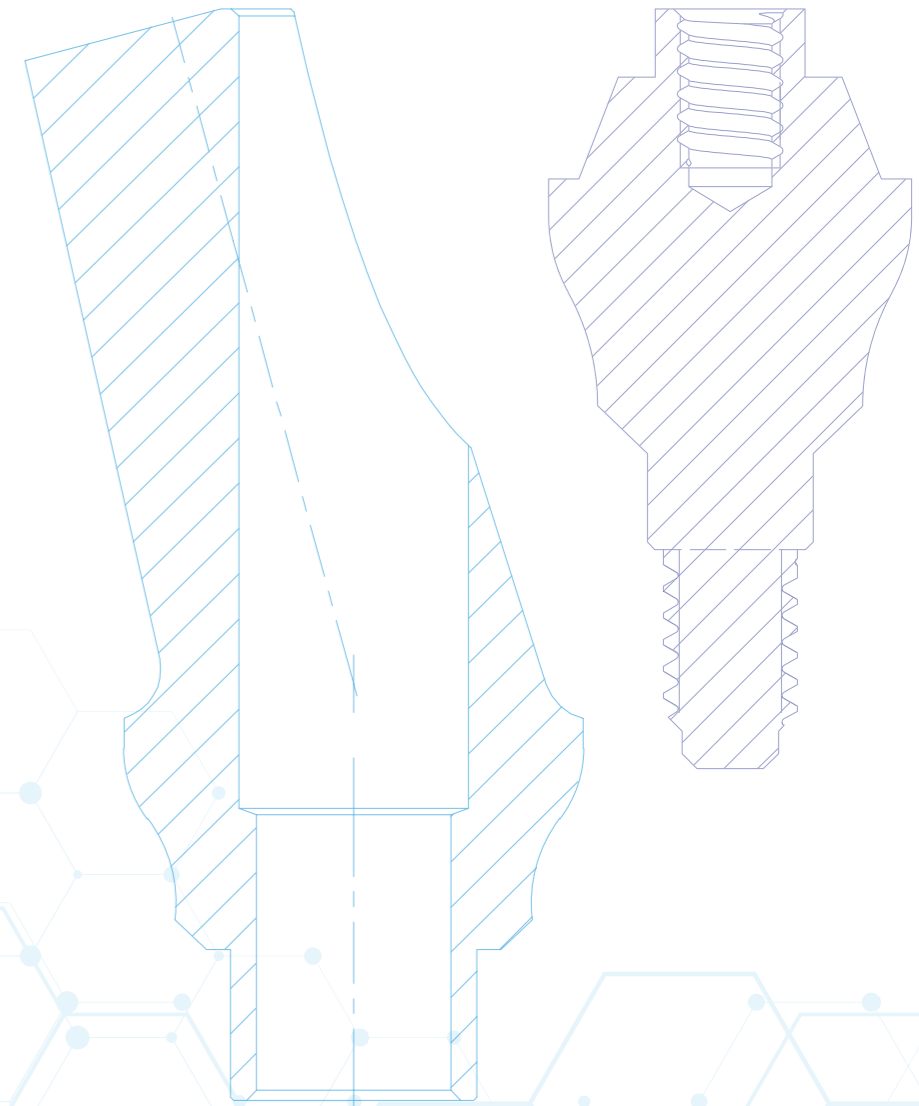
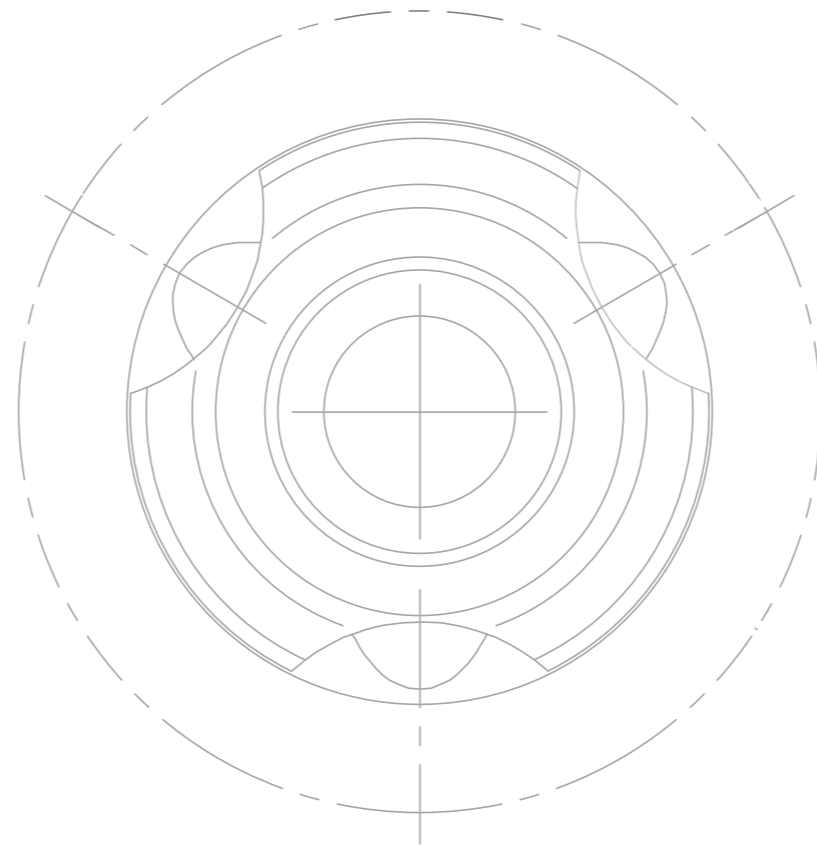
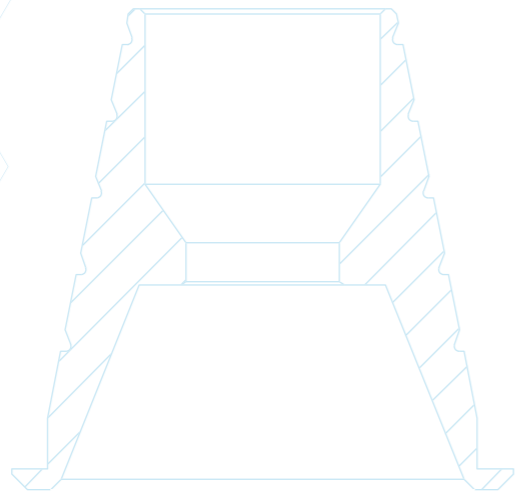


| MATERIAL | PLATFORM $\Phi 4,8$ |
|--------------------|---------------------|
| Titanium/Peek | MU21.SF |
| Screw Reference | MU21.100 |
| Recommended Torque | By Hand |
| Screwdriver | Hex 1,20 |



CONICAL CONNECTION

compatible with **OmniTaper EV Implant System™**





CONICAL CONNECTION

compatible with **OmniTaper EV Implant System™**

- Non engaging
- ⬡ Engaging



HEALING CAP



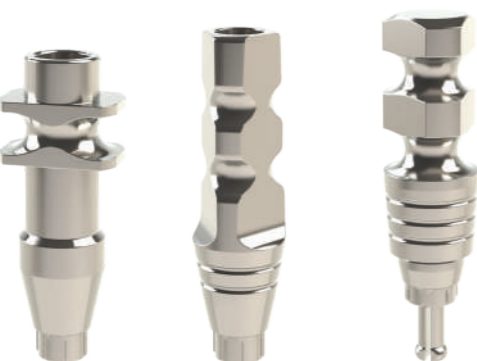
| GINGIVA HEIGHT | S | M | L |
|--------------------------------|----------|----------|---------------------|
| 2,5mm | 24.36.41 | 24.42.41 | 24.48.41 |
| 3,5mm | 24.36.42 | 24.42.42 | 24.48.42 |
| 4,5mm | 24.36.43 | 24.42.43 | 24.48.43 |
| Recommended Torque Screwdriver | | | By Hand Hex 1,25 |

SCAN ABUTMENT



| MATERIAL | S | M | L |
|--------------------------------|----------|----------|---------------------|
| PEEK | 24.36.SA | 24.42.SA | 24.48.SA |
| Titanium/PEEK | 24.36.SB | 24.42.SB | 24.48.SB |
| Screw Reference | 24.101 | 24.102 | 24.103 |
| Recommended Torque Screwdriver | | | By Hand Hex 1,25 |

IMPRESSION POST



| TYPE | S | M | L |
|--------------------------------|----------|----------|---------------------|
| Open Tray | 24.36.50 | 24.42.50 | 24.48.50 |
| Screw Reference | 24.151 | 24.152 | 24.153 |
| Closed Tray | 24.36.55 | 24.42.55 | 24.48.55 |
| Screw Reference | 21.156 | 21.157 | 21.158 |
| Press Fit | 24.36.56 | 24.42.56 | 24.48.56 |
| Recommended Torque Screwdriver | | | By Hand Hex 1,25 |

TITANIUM TEMPORARY ABUTMENT



| | S | M | L |
|--------------------------------|----------|----------|-------------------|
| ⬡ | 24.36.90 | 24.42.90 | 24.48.90 |
| ○ | 24.36.91 | 24.42.91 | 24.48.91 |
| Screw Reference | 24.101 | 24.102 | 24.103 |
| Recommended Torque Screwdriver | | | 25Ncm Hex 1,25 |

ANALOG



| | S | M | L |
|---|----------|----------|----------|
| ○ | 24.36.20 | 24.42.20 | 24.48.20 |

*For Lab & Digital Models

OVERDENTURE ABUTMENT



| GINGIVA HEIGHT | S | M | L |
|--------------------------------|----------|----------|------------------------|
| 1,0mm | 24.36.81 | 24.42.81 | 24.48.81 |
| 2,0mm | 24.36.82 | 24.42.82 | 24.48.82 |
| 3,0mm | 24.36.83 | 24.42.83 | 24.48.83 |
| 4,0mm | 24.36.84 | 24.42.84 | 24.48.84 |
| Recommended Torque Screwdriver | | | 25Ncm Locator® Tool |



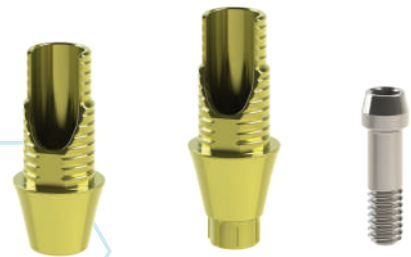
CONICAL CONNECTION

compatible with **OmniTaper EV Implant System™**

- Non engaging
- ⊕ Engaging



TI-BASE



| | GINGIVA HEIGHT | S | M | L |
|--------------------|----------------|------------|------------|------------|
| ⊕ | 1,0mm | 24.36.60.1 | 24.42.60.1 | 24.48.60.1 |
| ⊕ | 2,0mm | 24.36.60.2 | 24.42.60.2 | 24.48.60.2 |
| ⊕ | 3,0mm | 24.36.60.3 | 24.42.60.3 | 24.48.60.3 |
| ○ | 1,0mm | 24.36.61.1 | 24.42.61.1 | 24.48.61.1 |
| ○ | 2,0mm | 24.36.61.2 | 24.42.61.2 | 24.48.61.2 |
| ○ | 3,0mm | 24.36.61.3 | 24.42.61.3 | 24.48.61.3 |
| Screw Reference | | 24.101 | 24.102 | 24.103 |
| Recommended Torque | | | | 25Ncm |
| Screwdriver | | | | Hex 1,25 |

TI-BASE ANGLED



| | GINGIVA HEIGHT | S | M | L |
|--------------------|----------------|------------|------------|------------|
| ⊕ | 1,0mm | 24.36.65.1 | 24.42.65.1 | 24.48.65.1 |
| ⊕ | 2,0mm | 24.36.65.2 | 24.42.65.2 | 24.48.65.2 |
| ⊕ | 3,0mm | 24.36.65.3 | 24.42.65.3 | 24.48.65.3 |
| ○ | 1,0mm | 24.36.66.1 | 24.42.66.1 | 24.48.66.1 |
| ○ | 2,0mm | 24.36.66.2 | 24.42.66.2 | 24.48.66.2 |
| ○ | 3,0mm | 24.36.66.3 | 24.42.66.3 | 24.48.66.3 |
| Screw Reference | | 24.165 | 24.166 | 24.167 |
| Recommended Torque | | | | 25Ncm |
| Screwdriver | | | | Torx Ball |

CoCr CASTABLE ABUTMENT



| | | S | M | L |
|--------------------|--|----------|----------|----------|
| ⊕ | | 24.36.70 | 24.42.70 | 24.48.70 |
| ○ | | 24.36.71 | 24.42.71 | 24.48.71 |
| Screw Reference | | 21.101 | 21.102 | 21.103 |
| Recommended Torque | | | | 25Ncm |
| Screwdriver | | | | Hex 1,25 |

MULTI-UNIT ABUTMENT



| | DEGREES | GINGIVA HEIGHT | S | M | L |
|--------------------|---------|----------------|--------------|--------------|--------------------|
| | 0° | 1,5mm | MU24.36.0.1 | MU24.42.0.1 | MU24.48.0.1 |
| | 0° | 2,5mm | MU24.36.0.2 | MU24.42.0.2 | MU24.48.0.2 |
| | 0° | 3,5mm | MU24.36.0.3 | MU24.42.0.3 | MU24.48.0.3 |
| | 0° | 4,5mm | MU24.36.0.4 | MU24.42.0.4 | MU24.48.0.4 |
| Screwdriver | | | | | Multi Unit Tool EV |
| | 17° | 1,5mm | MU24.36.17.1 | MU24.42.17.1 | MU24.48.17.1 |
| | 17° | 2,5mm | MU24.36.17.2 | MU24.42.17.2 | MU24.48.17.2 |
| | 17° | 3,5mm | MU24.36.17.3 | MU24.42.17.3 | MU24.48.17.3 |
| | 17° | 4,5mm | MU24.36.17.4 | MU24.42.17.4 | MU24.48.17.4 |
| | 30° | 1,5mm | MU24.36.30.1 | MU24.42.30.1 | MU24.48.30.1 |
| | 30° | 2,5mm | MU24.36.30.2 | MU24.42.30.2 | MU24.48.30.2 |
| Screw reference | | | MUA24.101 | MUA24.102 | MUA24.103 |
| Recommended Torque | | | | | 25Ncm |
| Screwdriver | | | | | Hex 1,25 |

PREMILL BLANK

| | DIAMETER | MATERIAL | S | M | L |
|--------------------|----------|----------|-----------|-----------|-----------|
| | Ø 12mm | CoCr | 24.36.12C | 24.42.12C | 24.48.12C |
| | Ø 16mm | CoCr | | 24.42.16C | 24.48.16C |
| | Ø 12mm | Titanium | 24.36.12T | 24.42.12T | 24.48.12T |
| | Ø 16mm | Titanium | | 24.42.16T | 24.48.16T |
| Screw Reference | | | 24.101 | 24.102 | 24.103 |
| Recommended Torque | | | | | 25Ncm |
| Screwdriver | | | | | Hex 1,25 |

MULTI-UNIT PROSTHETIC SYSTEM



HEALING CAP



| GINGIVA HEIGHT | PLATFORM Φ4,8 |
|--------------------|------------------|
| 2,0mm | MU24.42 |
| Screw Reference | MU24.100 |
| Recommended Torque | By Hand |
| Screwdriver | Hex 1,25 |

ANALOG



| PLATFORM Φ4,8 |
|---------------------------|
| MU24.20 |
| *For Lab & Digital Models |

IMPRESSION POST



| TYPE | PLATFORM Φ4,8 |
|--------------------|------------------|
| Open Tray | MU24.51 |
| Screw Reference | MU24.150 |
| Closed Tray | MU24.55 |
| Screw Reference | MU24.155 |
| Recommended Torque | By Hand |
| Screwdriver | Hex 1,25 |

TI-BASE



| GINGIVA HEIGHT | PLATFORM Φ4,8 |
|--------------------|------------------|
| 0,2mm | MU24.61 |
| Screw Reference | MU24.100 |
| Recommended Torque | 15Ncm |
| Screwdriver | Hex 1,25 |

TITANIUM TEMPORARY ABUTMENT



| GINGIVA HEIGHT | PLATFORM Φ4,8 |
|--------------------|------------------|
| 1,5mm | MU24.91 |
| 0,2mm | MU24.92 |
| Screw Reference | MU24.100 |
| Recommended Torque | 15Ncm |
| Screwdriver | Hex 1,25 |

SCAN ABUTMENT



| MATERIAL | PLATFORM Φ4,8 |
|--------------------|------------------|
| Peek | MU24.SA |
| Titanium/Peek | MU24.SB |
| Screw Reference | MU24.100 |
| Recommended Torque | By Hand |
| Screwdriver | Hex 1,25 |

FULL MOUTH SYSTEM

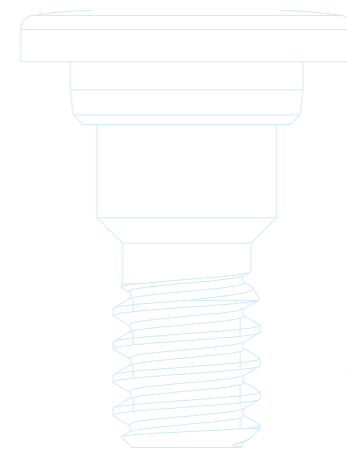
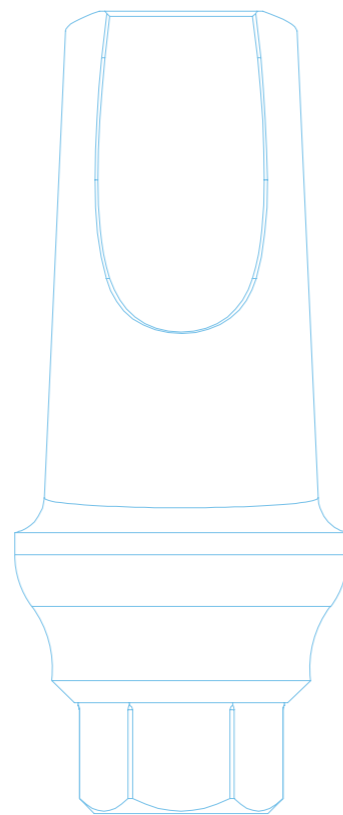
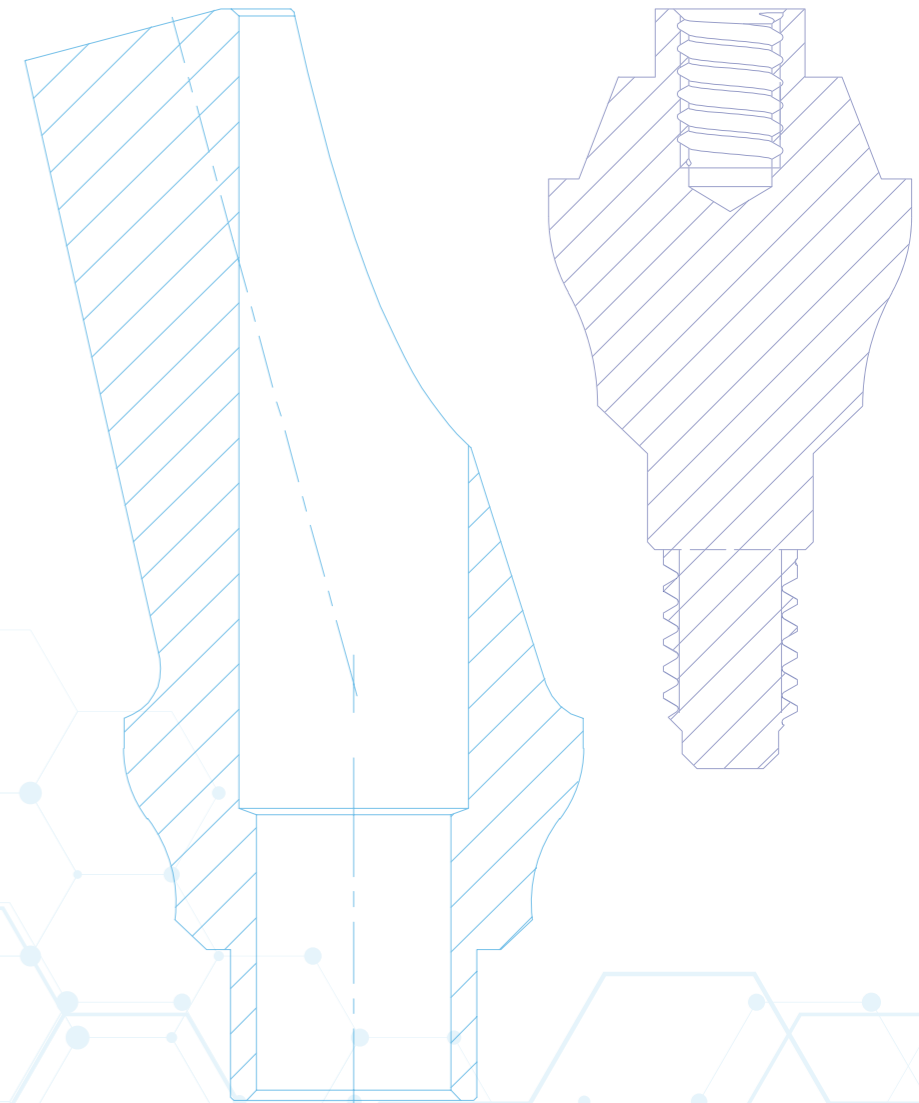
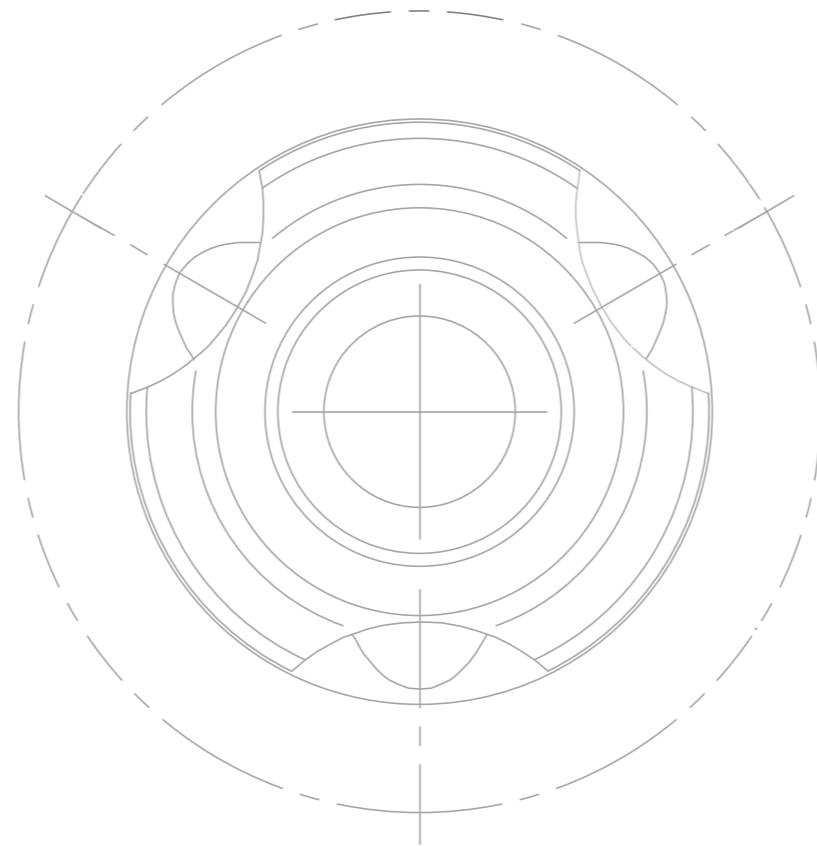
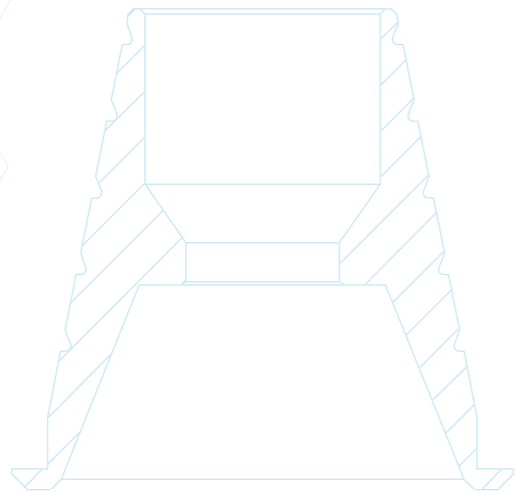


| MATERIAL | PLATFORM Φ4,8 |
|--------------------|------------------|
| Titanium/Peek | MU24.SF |
| Screw Reference | MU24.100 |
| Recommended Torque | By Hand |
| Screwdriver | Hex 1,25 |



INTERNAL HEX



compatible with **FRIZ & Zimmer RP**





INTERNAL HEX

compatible with **FRIZ & Zimmer RP**

-  Non engaging
-  Engaging



HEALING CAP



| GINGIVA HEIGHT | |
|--------------------|-----------|
| 1,0mm | 26.35.41 |
| 2,0mm | 26.35.42 |
| 3,0mm | 26.35.43 |
| 4,0mm | 26.35.44 |
| 5,0mm | 26.35.45 |
| Recommended Torque | 10-15 Ncm |
| Screwdriver | Hex 1,25 |

TITANIUM TEMPORARY ABUTMENT



| GINGIVA HEIGHT | |
|--------------------|-----------|
| 26.35.90 | 26.35.91 |
| Screw reference | 26.100 |
| Recommended Torque | 20-25 Ncm |
| Screwdriver | Hex 1,25 |

SCAN ABUTMENT



| MATERIAL | Peek | Titanium/Peek |
|--------------------|----------|---------------|
| | 26.35.SA | 26.35.SB |
| Screw Reference | | 26.100 |
| Recommended Torque | | 10-15 |
| NcmScrewdriver | | Hex 1,25 |

ANALOG



| | |
|--|---------------------------|
| | 26.35.20 |
| | *For Lab & Digital Models |

IMPRESSION POST



| | Open tray | Closed tray | Press fit |
|--------------------|-----------|-------------|-----------|
| | 26.35.50 | 26.35.55 | 26.35.56 |
| Screw reference | 26.150 | 26.155 | |
| Recommended Torque | | | 10-15 Ncm |
| Screwdriver | | | Hex 1,25 |

OVERDENTURE ABUTMENT





| GINGIVA HEIGHT | |
|--------------------|---------------|
| 1,0mm | 26.35.81 |
| 2,0mm | 26.35.82 |
| 3,0mm | 26.35.83 |
| 4,0mm | 26.35.84 |
| 5,0mm | 26.35.85 |
| Recommended Torque | 30Ncm |
| Screwdriver | Locator® Tool |



INTERNAL HEX

compatible with **FRIZ & Zimmer RP**

-  Non engaging
-  Engaging



TI-BASE





| GINGIVA HEIGHT | | |
|----------------|---|---|
| |  |  |
| 0,5mm | 26.35.60.1 | 26.35.61.1 |
| 1,0mm | 26.35.60.2 | 26.35.61.2 |
| 2,0mm | 26.35.60.3 | 26.35.61.3 |
| 3,0mm | 26.35.60.4 | 26.35.61.4 |
| 4,0mm | 26.35.60.5 | 26.35.61.5 |

Screw Reference 26.100
Recommended Torque 30Ncm
Screwdriver Hex 1,25

CASTABLE ABUTMENT





| |  |  |
|--|---|---|
| | 26.35.30 | 26.35.31 |

Screw Reference 26.100
Recommended Torque 30Ncm
Screwdriver Hex 1,25

TI-BASE ANGLED





| GINGIVA HEIGHT | | |
|----------------|---|---|
| |  |  |
| 1,0mm | 26.35.65.1 | 26.35.66.1 |
| 2,0mm | 26.35.65.2 | 26.35.66.2 |
| 3,0mm | 26.35.65.3 | 26.35.66.3 |

Screw Reference 26.165
Recommended Torque 25Ncm
Screwdriver Torx Ball

CoCr CASTABLE ABUTMENT



| |  |  |
|--|---|---|
| | 26.35.70 | 26.35.71 |

Screw Reference 26.100
Recommended Torque 30Ncm
Screwdriver Hex 1,25



INTERNAL HEX

compatible with **FRIZ & Zimmer RP**

- Non engaging
- ⊞ Engaging



MULTI-UNIT ABUTMENT



| GINGIVA HEIGHT | 0° | 17° | 30° |
|--------------------|-----------------|--------------|--------------|
| 1,0mm | MU26.35.0.1 | | |
| 2,0mm | MU26.35.0.2 | MU26.35.17.1 | |
| 3,0mm | MU26.35.0.3 | MU26.35.17.2 | MU26.35.30.1 |
| 4,0mm | MU26.35.0.4 | | MU26.35.30.2 |
| 5,0mm | | | MU26.35.30.3 |
| Screw Reference | | MUA26.100 | MUA26.100 |
| Recommended Torque | 30Ncm | 30Ncm | 30Ncm |
| Screwdriver | Multi Unit Tool | Hex 1,25 | Hex 1,25 |

TITANIUM ABUTMENT EASY



| GINGIVA HEIGHT | 0° | 15° | 25° |
|--------------------|-----------|------------|------------|
| 1,0mm | 26.35.0.1 | 26.35.15.1 | 26.35.25.1 |
| 2,0mm | 26.35.0.2 | 26.35.15.2 | 26.35.25.2 |
| 3,0mm | 26.35.0.3 | 26.35.15.3 | 26.35.25.3 |
| 4,0mm | 26.35.0.4 | 26.35.15.4 | 26.35.25.4 |
| Screw Reference | | | 26.100 |
| Recommended Torque | | | 30Ncm |
| Screwdriver | | | Hex 1,25 |

DRAFT

TITANIUM ABUTMENT MILLABLE



| GINGIVA HEIGHT | ø4 | ø4,5 | ø5,2 |
|--------------------|-----------|-----------|-----------|
| 2,0mm | 26.35.1.2 | 26.35.2.2 | 26.35.3.2 |
| 4,0mm | 26.35.1.4 | 26.35.2.4 | 26.35.3.4 |
| Screw Reference | | | 26.100 |
| Recommended Torque | | | 30Ncm |
| Screwdriver | | | Hex 1,25 |

PREMILL BLANK



| MATERIAL | ø 12mm | ø 16mm |
|--------------------|-----------|-----------|
| CoCr | 26.35.12C | 26.35.16C |
| Titanium | 26.35.12T | |
| Screw Reference | | 26.100 |
| Recommended Torque | | 30Ncm |
| Screwdriver | | Hex 1,25 |

MULTI-UNIT PROSTHETIC SYSTEM



HEALING CAP



| | PLATFORM Φ48 |
|--------------------|-----------------|
| CONE | MU26.42 |
| CYLINDER | MU26.43 |
| Screw Reference | MU26.100 |
| Recommended Torque | By Hand |
| Screwdriver | Hex 1,25 |

ANALOG



| | |
|--|---------------------------|
| | MU26.20 |
| | *For Lab & Digital Models |

IMPRESSION POST



| | Open tray | Closed tray |
|--------------------|-----------|-------------|
| | MU26.51 | MU26.55 |
| Screw reference | MU26.150 | MU26.155 |
| Recommended Torque | | 10-15 Ncm |
| Screwdriver | | Hex 1,25 |

TI-BASE



| | GINGIVA HEIGHT | PLATFORM Φ48 |
|--------------------|-------------------|-----------------|
| | 0,2mm | MU26.61 |
| Screw Reference | | MU26.100 |
| Recommended Torque | | 15Ncm |
| Screwdriver | | Hex 1,25 |

TITANIUM TEMPORARY ABUTMENT



| | GINGIVA HEIGHT | 0,2mm | 1,5mm |
|--------------------|-------------------|---------|----------|
| | | MU26.92 | MU26.91 |
| Screw Reference | | | MU26.100 |
| Recommended Torque | | | 15Ncm |
| Screwdriver | | | Hex 1,25 |

SCAN ABUTMENT



| | MATERIAL | Peek | Titanium/Peek |
|--------------------|----------|---------|---------------|
| | | MU26.SA | MU26.SB |
| Screw Reference | | | MU26.100 |
| Recommended Torque | | | By Hand |
| Screwdriver | | | Hex 1,25 |

FULL MOUTH SYSTEM

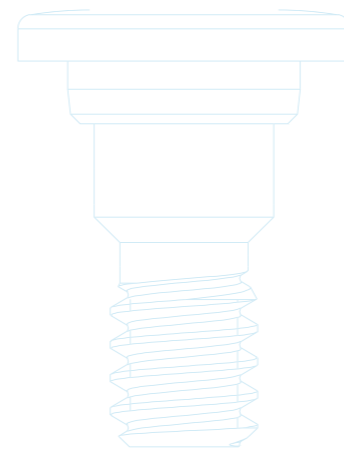
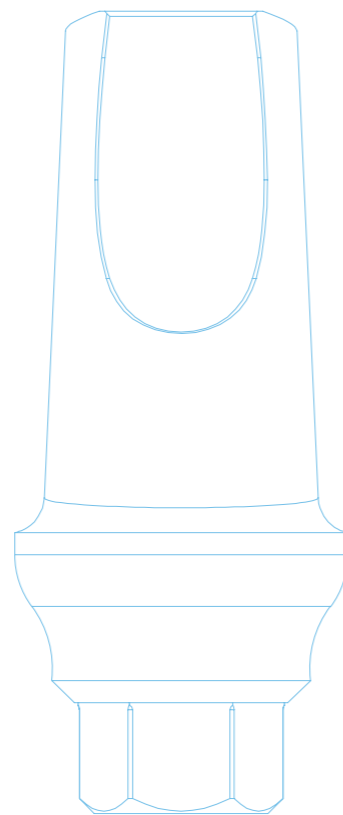
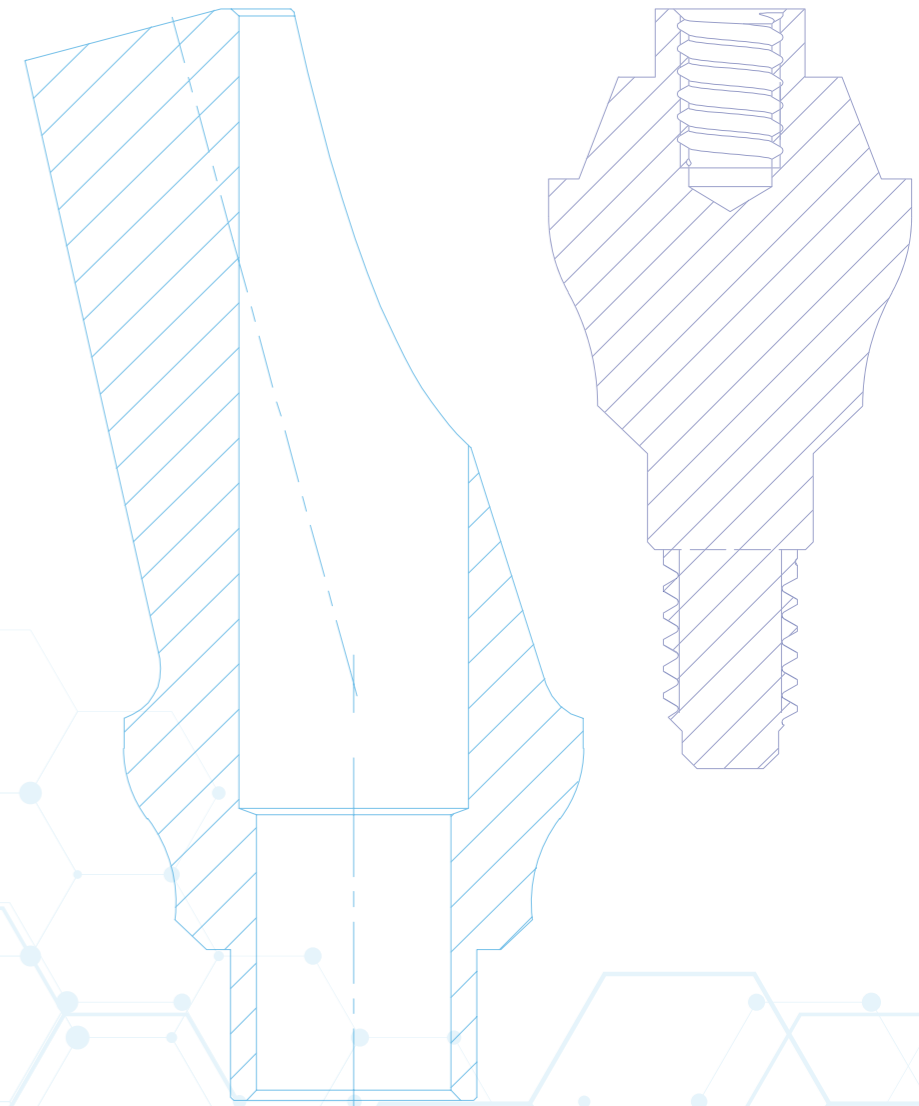
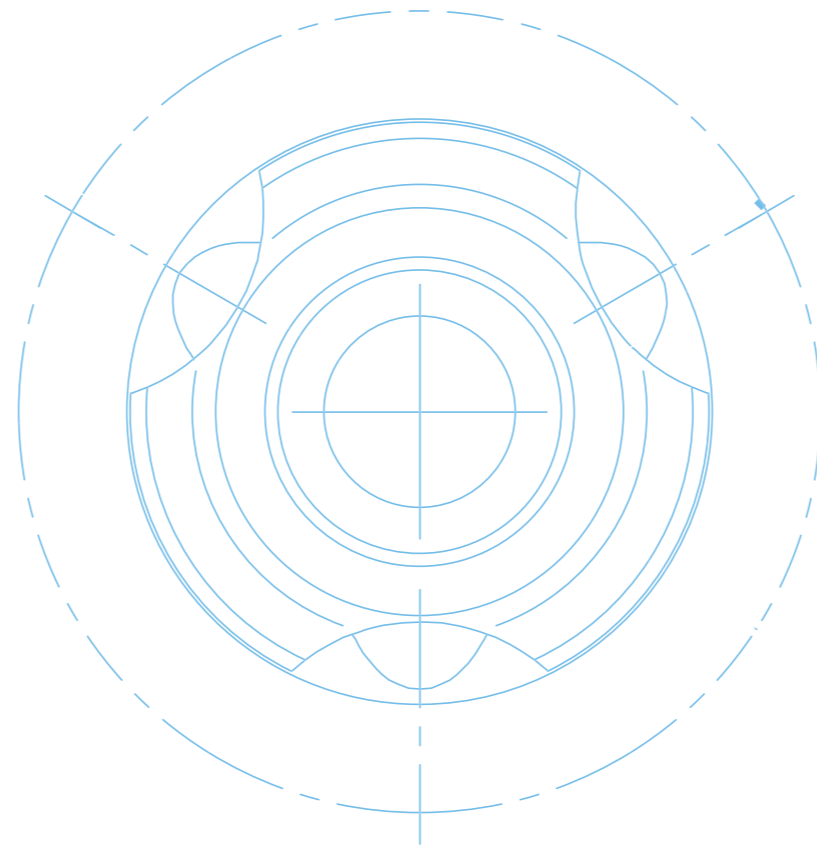
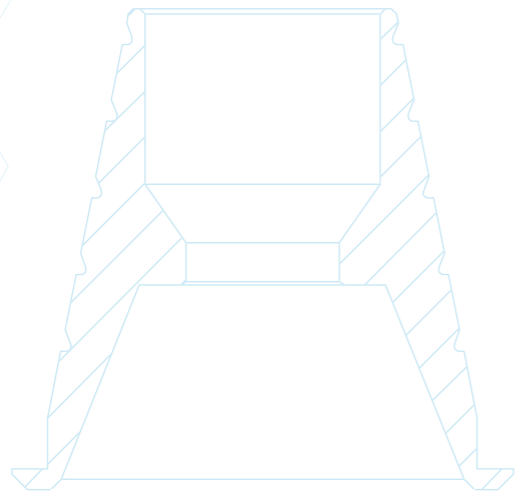


| | MATERIAL | Titanium/Peek |
|--------------------|----------|---------------|
| | | MU26.SF |
| Screw Reference | | MU26.100 |
| Recommended Torque | | By Hand |
| Screwdriver | | Hex 1,25 |



CONICAL CONNECTION

compatible with **NEOBIOTECH® IS system**



CONICAL CONNECTION

compatible with **NEOBIOTECH® IS system**

- Non engaging
- ⬡ Engaging



HEALING CAP



| GINGIVA HEIGHT | R |
|--------------------------------|---------------------|
| 2,0mm | 32.45.41 |
| 3,5mm | 32.45.42 |
| 5,0mm | 32.45.43 |
| 7,0mm | 32.45.44 |
| Recommended Torque Screwdriver | By Hand Hex 1,20 |

TITANIUM TEMPORARY ABUTMENT



| | R |
|--------------------------------|-------------------|
| ⬡ | 32.45.90 |
| ○ | 32.45.91 |
| Screw Reference | 32.100 |
| Recommended Torque Screwdriver | 25Ncm Hex 1,20 |

SCAN ABUTMENT



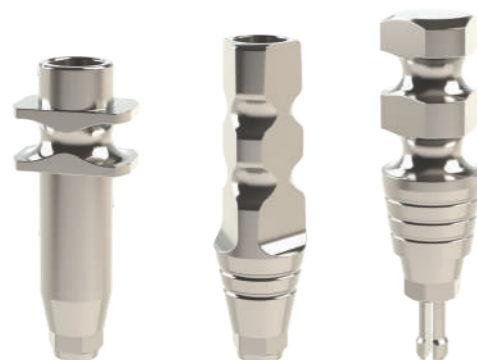
| MATERIAL | R |
|--------------------------------|---------------------|
| Peek | 32.45.SA |
| Titanium/Peek | 32.45.SB |
| Screw Reference | 32.100 |
| Recommended Torque Screwdriver | By Hand Hex 1,20 |

ANALOG



| | R |
|--|----------|
| | 32.45.20 |

IMPRESSION POST



| TYPE | R |
|--------------------------------|---------------------|
| Open Tray | 32.45.50 |
| Screw Reference | 32.150 |
| Closed Tray | 32.45.55 |
| Screw Reference | 32.155 |
| Press Fit | 32.45.56 |
| Recommended Torque Screwdriver | By Hand Hex 1,20 |

OVERDENTURE ABUTMENT



| GINGIVA HEIGHT | R |
|--------------------------------|------------------------|
| 1,0mm | 32.45.81 |
| 2,0mm | 32.45.82 |
| 3,0mm | 32.45.83 |
| 4,0mm | 32.45.84 |
| Recommended Torque Screwdriver | 25Ncm Locator® Tool |

CONICAL CONNECTION

compatible with **NEOBIOTECH® IS system**

- Non engaging
- ⬡ Engaging



TI-BASE



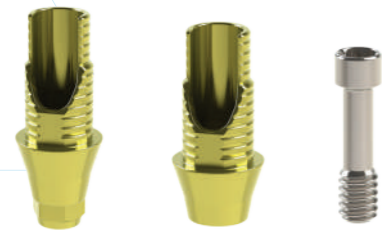
| | GINGIVA HEIGHT | R |
|--------------------|----------------|------------|
| ⬡ | 1,0mm | 32.45.60.1 |
| ⬡ | 2,0mm | 32.45.60.2 |
| ⬡ | 3,0mm | 32.45.60.3 |
| ○ | 1,0mm | 32.45.61.1 |
| ○ | 2,0mm | 32.45.61.2 |
| ○ | 3,0mm | 32.45.61.3 |
| Screw Reference | | 32.160 |
| Recommended Torque | | 25Ncm |
| Screwdriver | | Hex 1,20 |

CoCr CASTABLE ABUTMENT



| | R | |
|--------------------|----------|----------|
| ⬡ | 32.45.70 | |
| ○ | 32.45.71 | |
| Screw Reference | | 32.100 |
| Recommended Torque | | 25Ncm |
| Screwdriver | | Hex 1,20 |

TI-BASE ANGLED



| | GINGIVA HEIGHT | R |
|--------------------|----------------|------------|
| ⬡ | 1,0mm | 32.45.65.1 |
| ⬡ | 2,0mm | 32.45.65.2 |
| ⬡ | 3,0mm | 32.45.65.3 |
| ○ | 1,0mm | 32.45.66.1 |
| ○ | 2,0mm | 32.45.66.2 |
| ○ | 3,0mm | 32.45.66.3 |
| Screw Reference | | 32.165 |
| Recommended Torque | | 25Ncm |
| Screwdriver | | Torx Ball |

CASTABLE ABUTMENT



| | R | |
|--------------------|----------|----------|
| ⬡ | 32.45.30 | |
| ○ | 32.45.31 | |
| Screw Reference | | 32.100 |
| Recommended Torque | | 25Ncm |
| Screwdriver | | Hex 1,20 |

CONICAL CONNECTION

compatible with **NEOBIOTECH® IS system**

- Non engaging
- ⊞ Engaging



MULTI-UNIT ABUTMENT



| DEGREES | GINGIVA HEIGHT | R |
|--------------------|----------------|-----------------|
| 0° | 1,0mm | MN32.45.0.1 |
| 0° | 2,0mm | MN32.45.0.2 |
| 0° | 3,0mm | MN32.45.0.3 |
| 0° | 4,0mm | MN32.45.0.4 |
| Screwdriver | | Multi Unit Tool |
| 15° | 1,0mm | MN32.45.17.1 |
| 15° | 2,0mm | MN32.45.17.2 |
| 30° | 1,0mm | MN32.45.17.1 |
| 30° | 2,0mm | MN32.45.17.2 |
| Screw Reference | | MUA32.100 |
| Recommended Torque | | 25Ncm |
| Screwdriver | | Hex 1,20 |

TITANIUM ABUTMENT





| DEGREES | GINGIVA HEIGHT | R |
|--------------------|----------------|------------|
| 0° | 1,5mm | 32.45.0.1 |
| 0° | 2,5mm | 32.45.0.2 |
| 0° | 3,5mm | 32.45.0.3 |
| Screw Reference | | 32.101 |
| 15° | 1,5mm | 32.45.15.1 |
| 15° | 2,5mm | 32.45.15.2 |
| 15° | 3,5mm | 32.45.15.3 |
| 25° | 2,0mm | 32.45.25.1 |
| 25° | 3,0mm | 32.45.25.2 |
| 25° | 4,0mm | 32.45.25.3 |
| Screw Reference | | 32.102 |
| Recommended Torque | | 25Ncm |
| Screwdriver | | Hex 1,25 |

PREMILL BLANK



| DIAMETER | MATERIAL | R |
|--------------------|----------|-----------|
| Ø 12mm | CoCr | 32.45.12C |
| Ø 16mm | CoCr | 32.45.16C |
| Ø 12mm | Titanium | 32.45.12T |
| Ø 16mm | Titanium | 32.45.16T |
| Screw Reference | | 21.100 |
| Recommended Torque | | 25Ncm |
| Screwdriver | | Hex 1,20 |

MULTI-UNIT PROSTHETIC SYSTEM

-  Non engaging
-  Engaging





HEALING CAP



| | PLATFORM Φ4,8 |
|--------------------|------------------|
| CONE | MU.42 |
| CYLINDER | MU.43 |
| Screw Reference | MU.100 |
| Recommended Torque | By Hand |
| Screwdriver | Hex 1,25 |

TI-BASE



| | GINGIVA HEIGHT | PLATFORM Φ4,8 |
|---|-------------------|------------------|
|  | 0,2mm | MU.60 |
|  | 0,2mm | MU.61 |
| Screw Reference | | MU.100 |
| Recommended Torque | | 15Ncm |
| Screwdriver | | Hex 1,25 |

ANALOG



| | PLATFORM Φ4,8 |
|---------------------------|------------------|
| | MU.20 |
| *For Lab & Digital Models | |

TITANIUM TEMPORARY ABUTMENT



| | GINGIVA HEIGHT | PLATFORM Φ4,8 |
|--------------------|-------------------|------------------|
| | 1,5mm | MU.91 |
| | 0,2mm | MU.92 |
| Screw Reference | | MU.100 |
| Recommended Torque | | 15Ncm |
| Screwdriver | | Hex 1,25 |

IMPRESSION POST



| TYPE | PLATFORM Φ4,8 |
|--------------------|------------------|
| Open Tray | MU.51 |
| Screw Reference | MU.150 |
| Closed Tray | MU.55 |
| Screw Reference | MU.155 |
| Recommended Torque | By Hand |
| Screwdriver | Hex 1,25 |

SCAN ABUTMENT



| | MATERIAL | PLATFORM Φ4,8 |
|--------------------|---------------|------------------|
| | Peek | MU.SA |
| | Titanium/Peek | MU.SB |
| Screw Reference | | MU.100 |
| Recommended Torque | | By Hand |
| Screwdriver | | Hex 1,25 |

FULL MOUTH SYSTEM

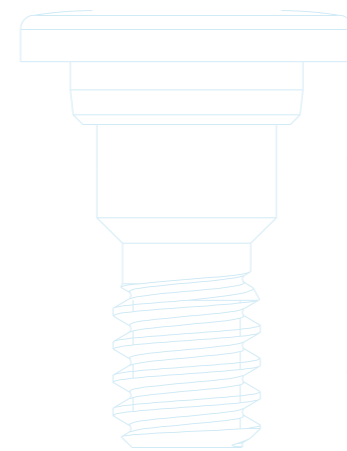
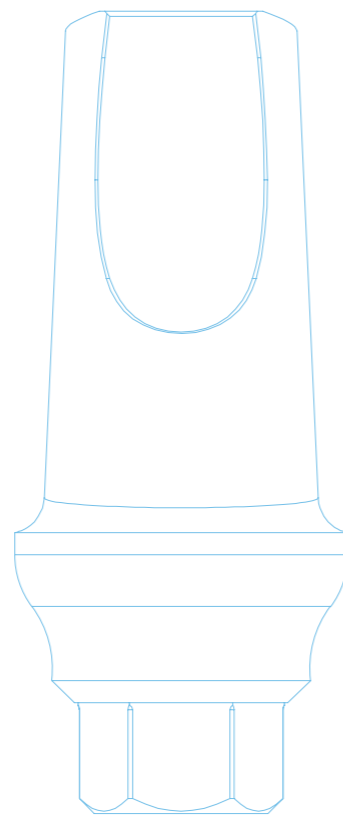
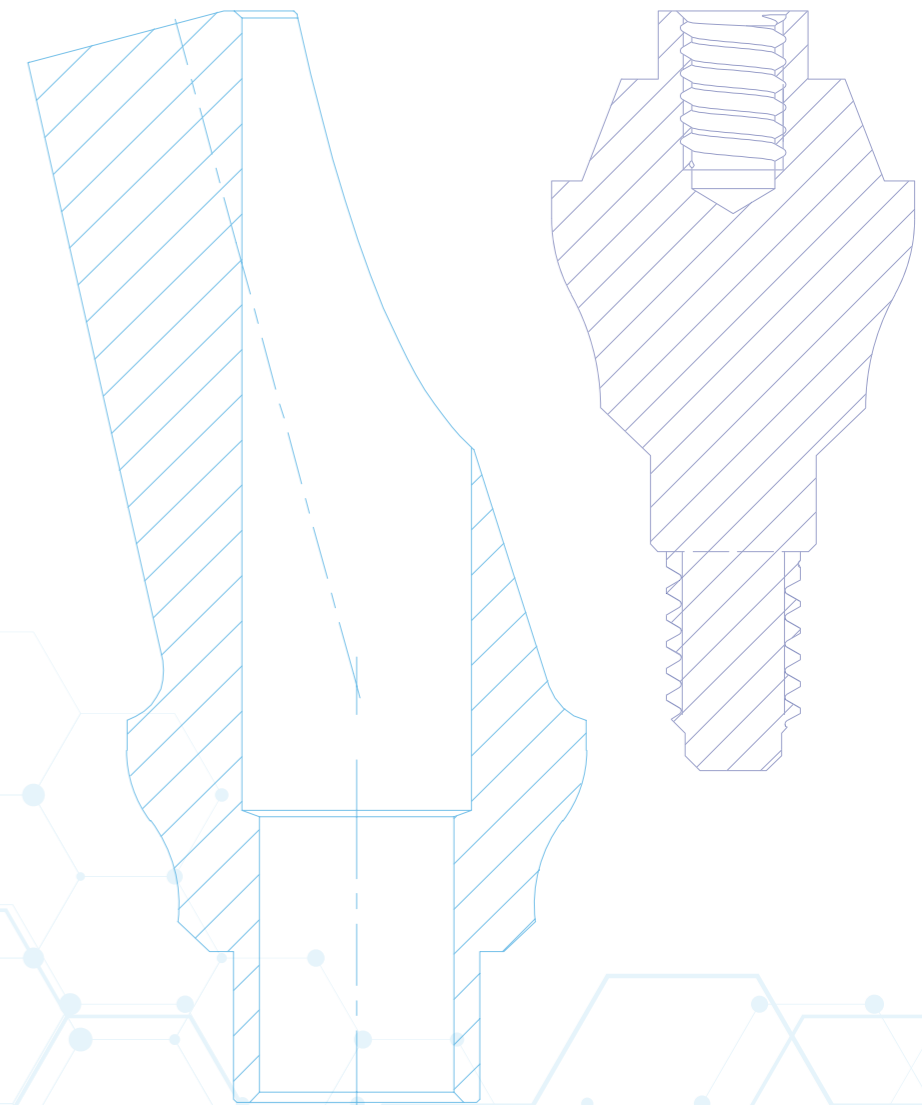
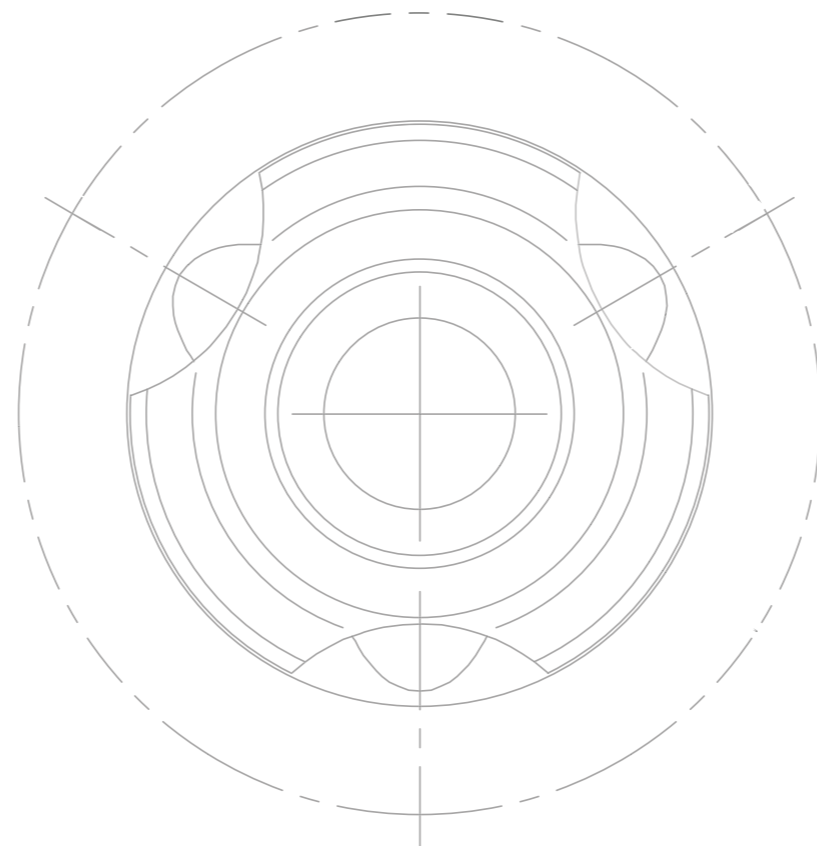
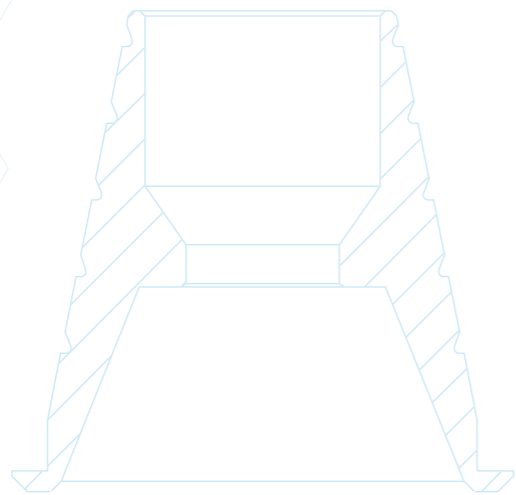


| | MATERIAL | PLATFORM Φ4,8 |
|--------------------|----------|------------------|
| | | MU.SF |
| Screw Reference | | MU.100 |
| Recommended Torque | | By Hand |
| Screwdriver | | Hex 1,25 |



EXTERNAL HEX

compatible with **3i OSSEOTITE®**





EXTERNAL HEX

compatible with 3i OSSEOTITE®

- Non engaging
- ⬡ Engaging



SCAN ABUTMENT



| MATERIAL | 3,4 | 4,1 | 5,0 |
|--------------------|----------|----------|----------|
| Peek | 33.34.SA | 33.41.SA | 33.50.SA |
| Titanium/Peek | 33.41.SB | | |
| Screw Reference | 33.100 | | |
| Recommended Torque | By Hand | | |
| Screwdriver | Hex 1,20 | | |

TITANIUM TEMPORARY ABUTMENT



| | 3,4 | 4,1 | 5,0 |
|--------------------|-----------|--------|-----|
| ⬡ | 33.41.90 | | |
| ○ | 33.41.91 | | |
| Screw Reference | 04.35.100 | 33.100 | |
| Recommended Torque | 20Ncm | | |
| Screwdriver | Hex 1,20 | | |

DRAFT

IMPRESSION POST



| TYPE | 3,4 | 4,1 | 5,0 |
|--------------------|----------|----------|----------|
| Open Tray | 33.34.50 | 33.41.50 | 33.50.50 |
| Screw Reference | 33.150 | | |
| Recommended Torque | By Hand | | |
| Screwdriver | Hex 1,20 | | |

ANALOG



| | 3,4 | 4,1 | 5,0 |
|--|----------|----------|----------|
| | 33.34.20 | 33.41.20 | 33.50.20 |

*For Lab & Digital Models



EXTERNAL HEX

compatible with 3i OSSEOTITE®

- Non engaging
- ⬡ Engaging

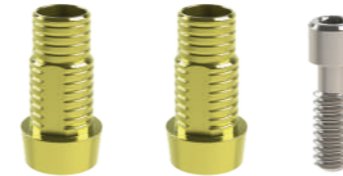


CoCr CASTABLE ABUTMENT



| | 3,4 | 4,1 | 5,0 |
|--------------------|----------|-----|----------|
| ⬡ | | | 33.41.70 |
| ○ | | | 33.41.71 |
| Screw Reference | 33.100 | | |
| Recommended Torque | 20Ncm | | |
| Screwdriver | Hex 1,20 | | |

TI-BASE



| | GINGIVA HEIGHT | 3,4 | 4,1 | 5,0 |
|--------------------|----------------|------------|------------|------------|
| ⬡ | 1,0mm | 33.34.60.1 | 33.41.60.1 | 33.50.60.1 |
| ⬡ | 2,0mm | 33.34.60.2 | 33.41.60.2 | 33.50.60.2 |
| ○ | 1,0mm | 33.34.61.1 | 33.41.61.1 | 33.50.61.1 |
| ○ | 2,0mm | 33.34.61.2 | 33.41.61.2 | 33.50.61.2 |
| Screw Reference | 33.100 | | | |
| Recommended Torque | 20Ncm | | | |
| Screwdriver | Hex 1,20 | | | |

CASTABLE ABUTMENT



| | 3,4 | 4,1 | 5,0 |
|--------------------|----------|----------|----------|
| ⬡ | 33.34.30 | 33.41.30 | 33.50.30 |
| ○ | 33.34.31 | 33.41.31 | 33.50.31 |
| Screw Reference | 33.130 | | |
| Recommended Torque | 20Ncm | | |
| Screwdriver | Hex 1,20 | | |

PREMILL BLANK

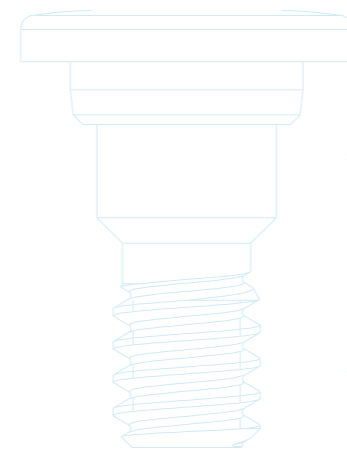
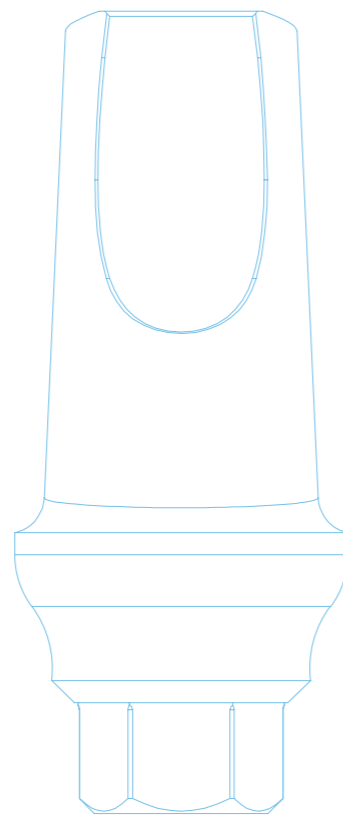
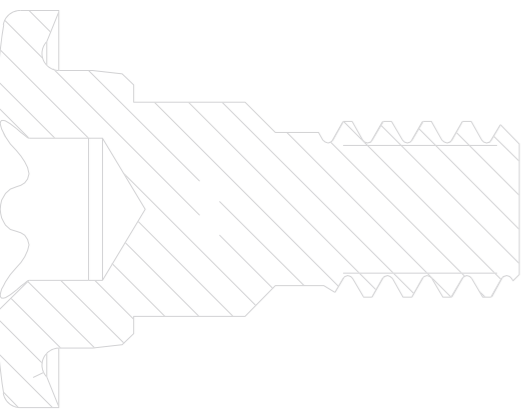
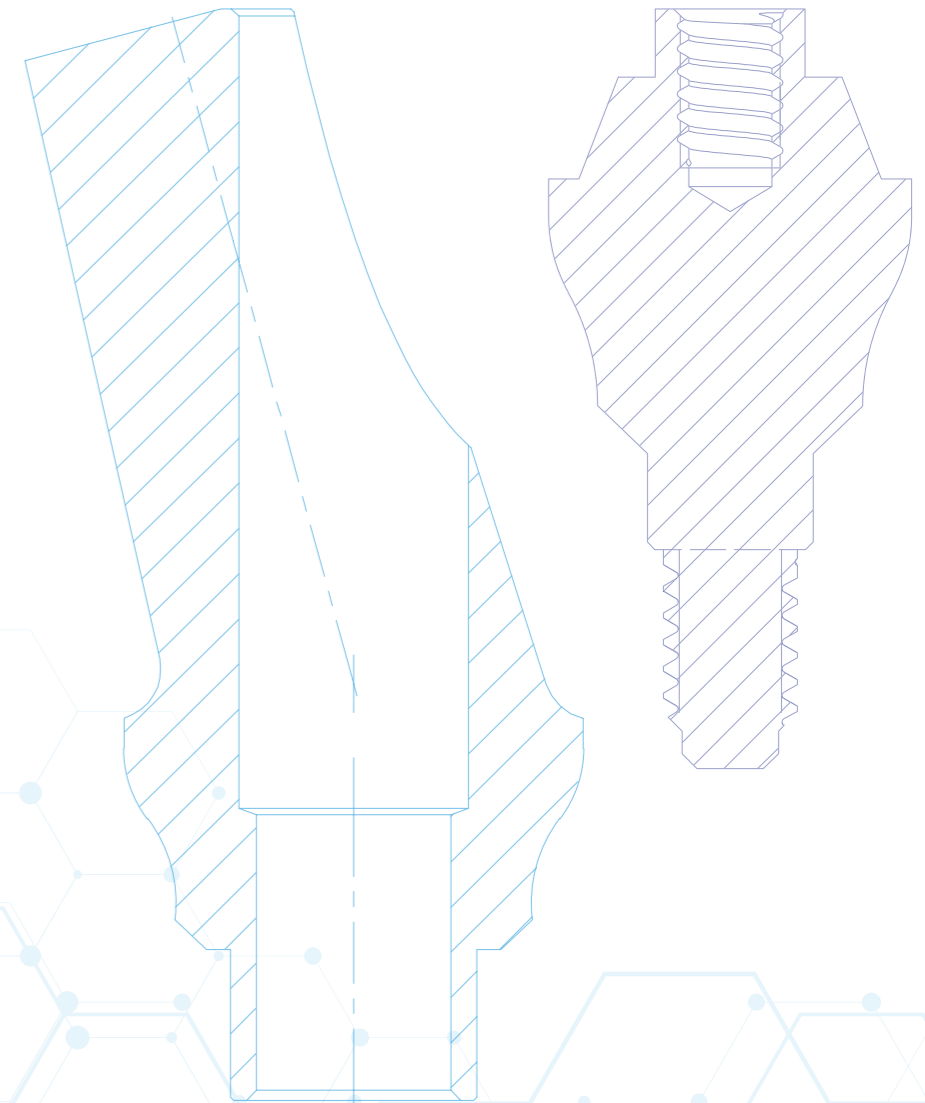
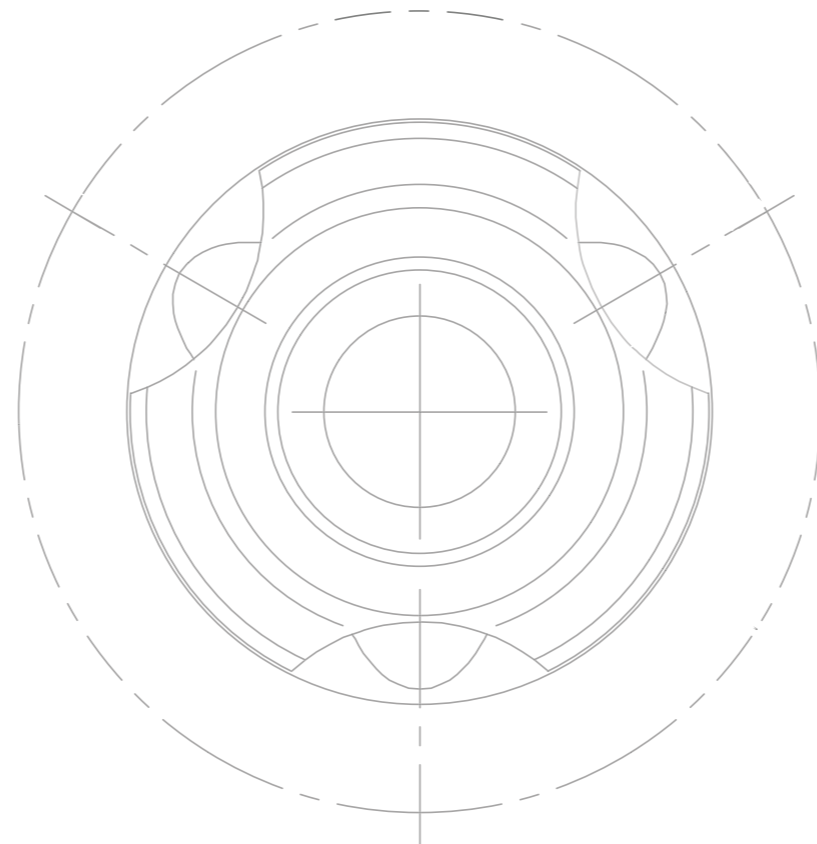
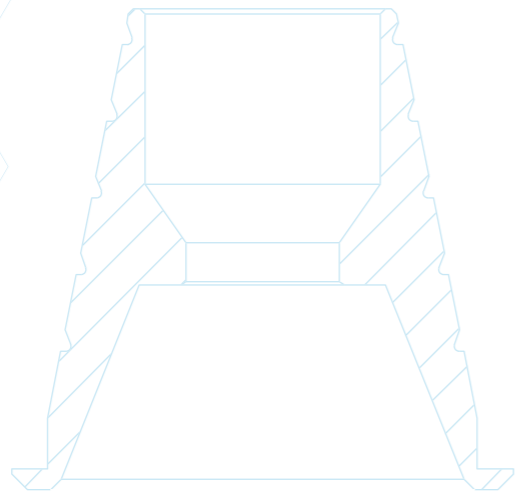


| | DIAMETER | MATERIAL | 3,4 | 4,1 | 5,0 |
|--------------------|----------|----------|-----------|-----------|-----------|
| Ø 12mm | | CoCr | 33.34.12C | 33.41.12C | 33.50.12C |
| Ø 12mm | | Titanium | 33.34.12T | 33.41.12T | 33.50.12T |
| Screw Reference | 33.100 | | | | |
| Recommended Torque | 20Ncm | | | | |
| Screwdriver | Hex 1,20 | | | | |



MULTI-UNIT UNIVERSAL

NOVAMIND® PLATFORM $\Phi 4,8$





FRIADENT XIVE®



| DEGREES | GINGIVA HEIGHT | 3,4 | 3,8 | 4,5 |
|-----------------------------------|----------------|-------------|-------------|--------------------------|
| 0° | 1,0mm | MN01.34.0.1 | MN01.38.0.1 | MN01.45.0.1 |
| 0° | 2,0mm | MN01.34.0.2 | MN01.38.0.2 | MN01.45.0.2 |
| 0° | 3,0mm | MN01.34.0.3 | MN01.38.0.3 | MN01.45.0.3 |
| 0° | 4,0mm | MN01.34.0.4 | MN01.38.0.4 | MN01.45.0.4 |
| Recommended Torque Screwdriver | | | | 24Ncm Multi Unit Tool |

Straumann® Bone level & BLT



| DEGREES | GINGIVA HEIGHT | NC 3,3 | RC 4,1/4,8 |
|--|----------------|----------------------------|--------------|
| 0° | 1,0mm | MN05.33.0.1 | MN05.41.0.1 |
| 0° | 2,0mm | MN05.33.0.2 | MN05.41.0.2 |
| 0° | 3,0mm | MN05.33.0.3 | MN05.41.0.3 |
| 0° | 4,0mm | MN05.33.0.4 | MN05.41.0.4 |
| Screwdriver | | Multi Unit Tool | |
| 17° | 2,5mm | MN05.33.17.1 | MN05.41.17.1 |
| 17° | 3,5mm | MN05.33.17.2 | MN05.41.17.2 |
| 30° | 3,5mm | MN05.33.30.1 | MN05.41.30.1 |
| 30° | 4,5mm | MN05.33.30.2 | MN05.41.30.2 |
| Screw Reference Recommended Torque Screwdriver | | MUA05.100 35Ncm Torx | |

3i CERTAIN®



| DEGREES | GINGIVA HEIGHT | 3,4 | 4,1 | 5 |
|-----------------------------------|----------------|-------------|-------------|--------------------------|
| 0° | 1,0mm | MN03.34.0.1 | MN03.41.0.1 | MN03.50.0.1 |
| 0° | 2,0mm | MN03.34.0.2 | MN03.41.0.2 | MN03.50.0.2 |
| 0° | 3,0mm | MN03.34.0.3 | MN03.41.0.3 | MN03.50.0.3 |
| 0° | 4,0mm | MN03.34.0.4 | MN03.41.0.4 | MN03.50.0.4 |
| Recommended Torque Screwdriver | | | | 20Ncm Multi Unit Tool |

Mis® Seven



| DEGREES | GINGIVA HEIGHT | NP 3,3 | SP 3,75/4,2 | WP 5,0/6,0 |
|--|----------------|-----------------|--------------------------------|--------------|
| 0° | 1,0mm | MN06.33.0.1 | MN06.37.0.1 | MN06.45.0.1 |
| 0° | 2,0mm | MN06.33.0.2 | MN06.37.0.2 | MN06.45.0.2 |
| 0° | 3,0mm | MN06.33.0.3 | MN06.37.0.3 | MN06.45.0.3 |
| 0° | 4,0mm | MN06.33.0.4 | MN06.37.0.4 | MN06.45.0.4 |
| Screwdriver | | Multi Unit Tool | | |
| 17° | 2,5mm | MN06.33.17.1 | MN06.37.17.1 | MN06.46.17.1 |
| 17° | 3,5mm | MN06.33.17.2 | MN06.37.17.2 | MN06.46.17.2 |
| 30° | 3,5mm | MN06.33.30.1 | MN06.37.30.1 | MN06.45.30.1 |
| 30° | 4,5mm | MN06.33.30.2 | MN06.37.30.2 | MN06.45.30.2 |
| Screw Reference Recommended Torque Screwdriver | | MUA06.102 | MUA06.103 30Ncm Hex 1,25 | |



BlueSKY & ClassicSKY



| DEGREES | GINGIVA HEIGHT | |
|-------------|----------------|-----------------|
| 0° | 1,0mm | MN10.40.0.1 |
| 0° | 2,0mm | MN10.40.0.2 |
| 0° | 3,0mm | MN10.40.0.3 |
| 0° | 4,0mm | MN10.40.0.4 |
| Screwdriver | | Multi Unit Tool |

Megagen AnyRidge®



| DEGREES | GINGIVA HEIGHT | |
|--|----------------|--------------------------------|
| 0° | 1,0mm | MN12.50.0.1 |
| 0° | 2,0mm | MN12.50.0.2 |
| 0° | 3,0mm | MN12.50.0.3 |
| 0° | 4,0mm | MN12.50.0.4 |
| Screwdriver | | Multi Unit Tool |
| 17° | 2,5mm | MN12.50.17.1 |
| 17° | 3,5mm | MN12.50.17.2 |
| 17° | 4,5mm | MN12.50.17.3 |
| 30° | 3,5mm | MN12.50.30.1 |
| 30° | 4,5mm | MN12.50.30.2 |
| Screw Reference Recommended Torque Screwdriver | | MUA12.100 25Ncm Hex 1,20 |

Dentium Superline™ & Implantium®



| DEGREES | GINGIVA HEIGHT | |
|--|----------------|--------------------------------|
| 0° | 1,0mm | MN11.45.0.1 |
| 0° | 2,0mm | MN11.45.0.2 |
| 0° | 3,0mm | MN11.45.0.3 |
| 0° | 4,0mm | MN11.45.0.4 |
| Screwdriver | | Multi Unit Tool |
| 17° | 2,5mm | MN11.45.17.1 |
| 17° | 3,5mm | MN11.45.17.2 |
| 30° | 3,5mm | MN11.45.30.1 |
| 30° | 4,5mm | MN11.45.30.2 |
| Screw Reference Recommended Torque Screwdriver | | MUA11.101 25Ncm Hex 1,25 |

COWELL® Inno Submerged



| DEGREES | GINGIVA HEIGHT | |
|--|----------------|--------------------------------|
| 0° | 1,0mm | MN14.45.0.1 |
| 0° | 2,0mm | MN14.45.0.2 |
| 0° | 3,0mm | MN14.45.0.3 |
| 0° | 4,0mm | MN14.45.0.4 |
| Screwdriver | | Multi Unit Tool |
| 17° | 2,5mm | MN14.45.17.1 |
| 17° | 3,5mm | MN14.45.17.2 |
| 30° | 3,5mm | MN14.45.30.1 |
| 30° | 4,5mm | MN14.45.30.2 |
| Screw Reference Recommended Torque Screwdriver | | MUA14.101 25Ncm Hex 1,20 |



Straumann® BLX



| DEGREES | GINGIVA HEIGHT | |
|--------------------|----------------|-----------------|
| 0° | 1,0mm | MN18.35.0.1 |
| 0° | 2,0mm | MN18.35.0.2 |
| 0° | 3,0mm | MN18.35.0.3 |
| 0° | 4,0mm | MN18.35.0.4 |
| Recommended Torque | | 35Ncm |
| Screwdriver | | Multi Unit Tool |

Osstem® TS





| DEGREES | GINGIVA HEIGHT | |
|--------------------|----------------|-----------------|
| 0° | 1,0mm | MN21.45.0.1 |
| 0° | 2,0mm | MN21.45.0.2 |
| 0° | 3,0mm | MN21.45.0.3 |
| 0° | 4,0mm | MN21.45.0.4 |
| Screwdriver | | Multi Unit Tool |
| 17° | 2,5mm | MN21.45.17.1 |
| 17° | 3,5mm | MN21.45.17.2 |
| 30° | 3,5mm | MN21.45.30.1 |
| 30° | 4,5mm | MN21.45.30.2 |
| Screw Reference | | MUA21.101 |
| Recommended Torque | | 25Ncm |
| Screwdriver | | Hex 1,20 |

DRAFT

MULTI-UNIT

PROSTHETIC SYSTEM

-  Non engaging
-  Engaging



HEALING CAP



| | PLATFORM Φ4,8 |
|-------------------------------|------------------|
| CONE | MU.42 |
| CYLINDER | MU.43 |
| Screw Reference | MU.100 |
| Recommended Torque By Hand | Hex 1,25 |
| Screwdriver | |

ANALOG



| | PLATFORM Φ4,8 |
|--|------------------|
| | MU.20 |

*For Lab & Digital Models



IMPRESSION POST



| TYPE | PLATFORM Φ4,8 |
|-------------------------------|------------------|
| Open Tray | MU.51 |
| Screw Reference | MU.150 |
| Closed Tray | MU.55 |
| Screw Reference | MU.155 |
| Recommended Torque By Hand | Hex 1,25 |
| Screwdriver | |

TI-BASE



| | GINGIVA HEIGHT | PLATFORM Φ4,8 |
|---|-------------------|------------------|
|  | 0,2mm | MU.61 |
|  | 0,2mm | MU.60 |
| Screw Reference | | MU.100 |
| Recommended Torque By Hand | | 15Ncm |
| Screwdriver | | Hex 1,25 |




TITANIUM TEMPORARY ABUTMENT



| | GINGIVA HEIGHT | PLATFORM Φ4,8 |
|-------------------------------|-------------------|------------------|
| | 1,5mm | MU.91 |
| | 0,2mm | MU.92 |
| Screw Reference | | MU.100 |
| Recommended Torque By Hand | | 15Ncm |
| Screwdriver | | Hex 1,25 |

SCAN ABUTMENT



| | MATERIAL | PLATFORM Φ4,8 |
|---|---------------|------------------|
|  | Peek | MU.SA |
|  | Peek | SU.SA |
|  | Titanium/Peek | MU.SB |
| Screw Reference | | MU.100 |
| Recommended Torque By Hand | | Hex 1,25 |
| Screwdriver | | |

FULL MOUTH SYSTEM



| | MATERIAL | PLATFORM Φ4,8 |
|-------------------------------|----------|------------------|
| | | MU.SF |
| Screw Reference | | MU.100 |
| Recommended Torque By Hand | | Hex 1,25 |
| Screwdriver | | |

PROSTHETIC Screws

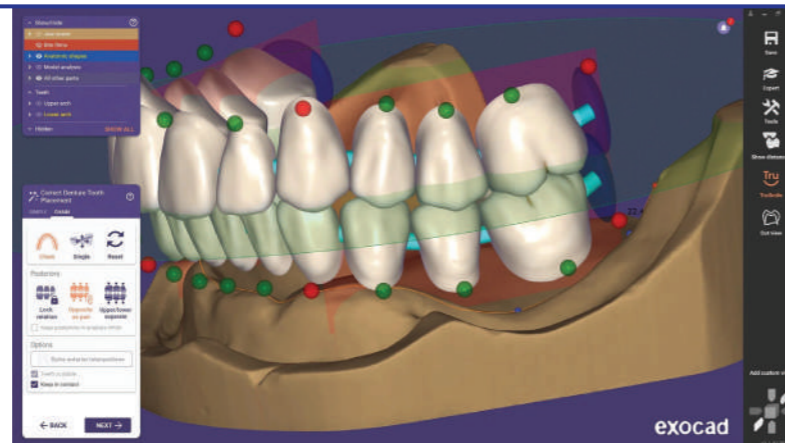


| | SCREWDRIVER | PLATFORM Φ4,8 |
|--------------------|-------------|------------------|
| | Hex 1,25 | MU.100 |
| | Hex 1,20 | MU.101 |
| | Torx | MU.102 |
| | Unigrip | MU.103 |
| Recommended Torque | | 15Ncm |



Design

With the use of the most complete and versatile designing software (Exocad) and the highly trained and Exocad certified designers, the final result is always guaranteed to be aesthetic and according to the mechanical criteria correct.



3D Printing

The use of one of the best printers in the world for dental use (ENVISIONTEC), guarantees perfection of the 3D printing applications. Anything is possible fast and reliable. No worries in maintaining the scan data dimensions.

Huge variety of materials and applications:

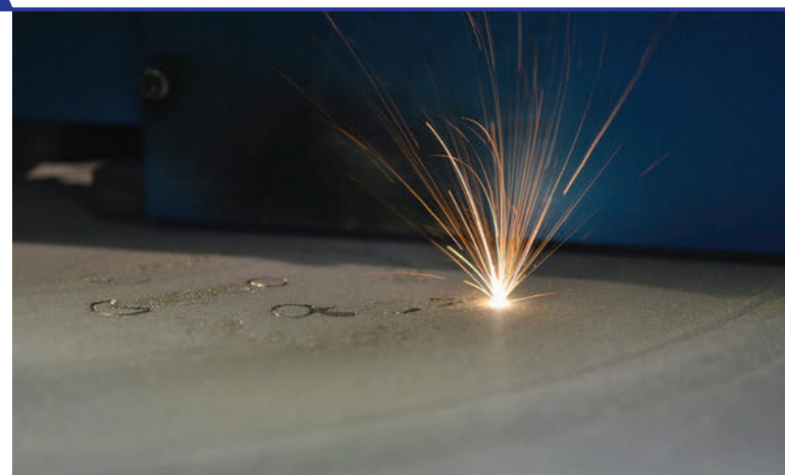
- Working models with removable dies
- Ortho models
- Bruxism splints
- Surgical guides
- Denture bases
- Removable gingiva mask
- Temporary crowns and bridges



Laser Sintering

Take advantage of the most modern method of manufacturing metal substructures for crowns, bridges as well as hybrid constructions and orthodontic applications. Some of the advantages of this method are:

- Stronger alloy structure due to lack of carbon residues
- Higher fit precision
- Standard quality
- Less tensions and rocking
- Certified restorations
- Very fast delivery



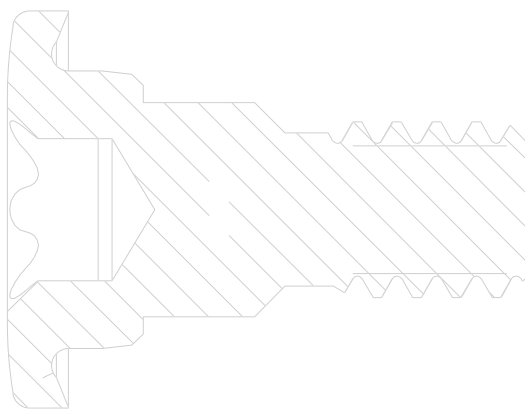
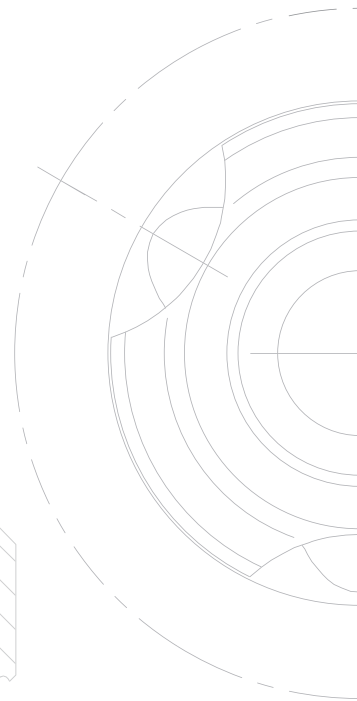
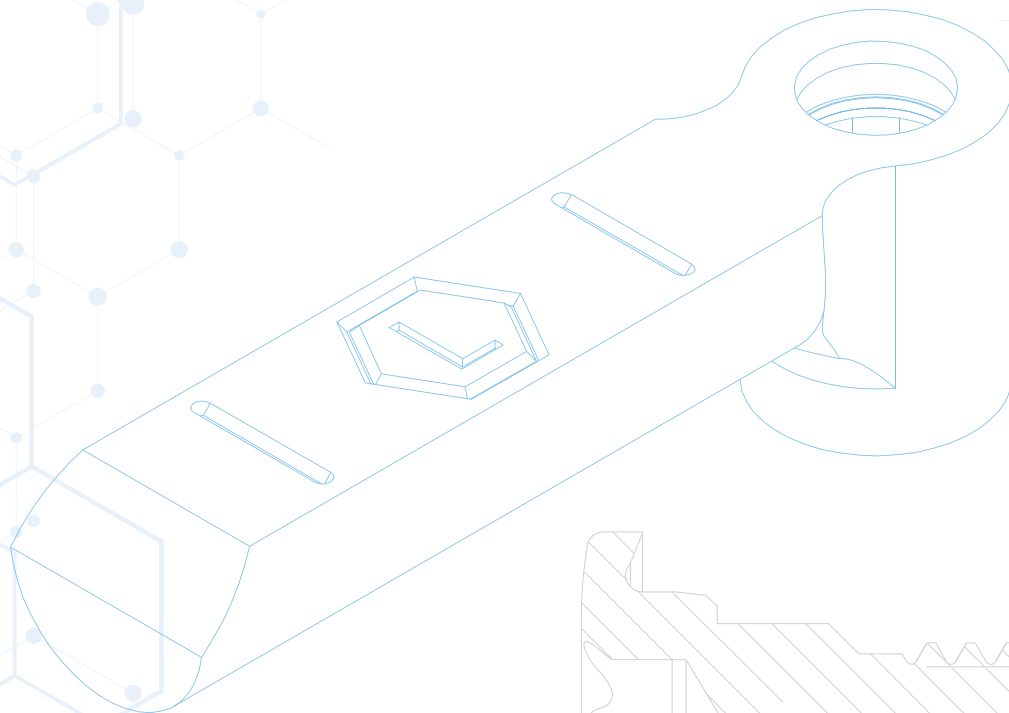
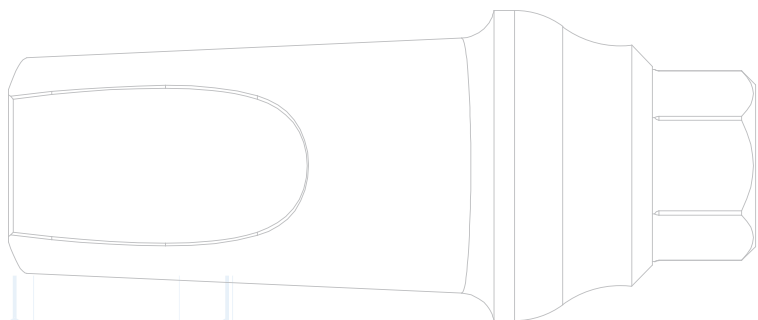
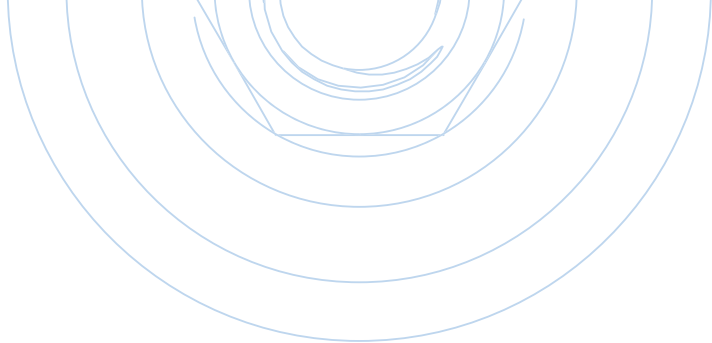
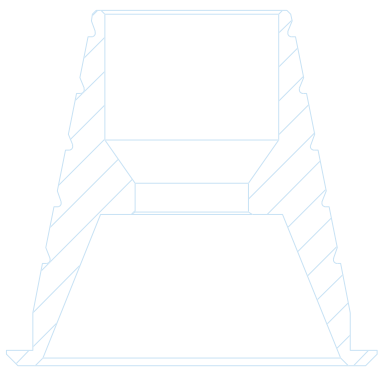
Milling

The Novamind zirconia milling center manufactures all types of restorations

- White substructures
- Coloured substructures according to shade guide
- Monolithic long spanned bridges
- Multi-layered monolithic restorations with high aesthetics and high strength



Custom made Abutments, either Co-Cr, or made of Titanium, manufactured by the state of the art milling equipment (Mikta p DMG-MORI). The highest precision and customization possibilities are guaranteed.



Ap. Pavlou 4, Acharnes 136 72 - Athens

(+30) 210 5233307

info@novamind.gr

www.novamind.gr